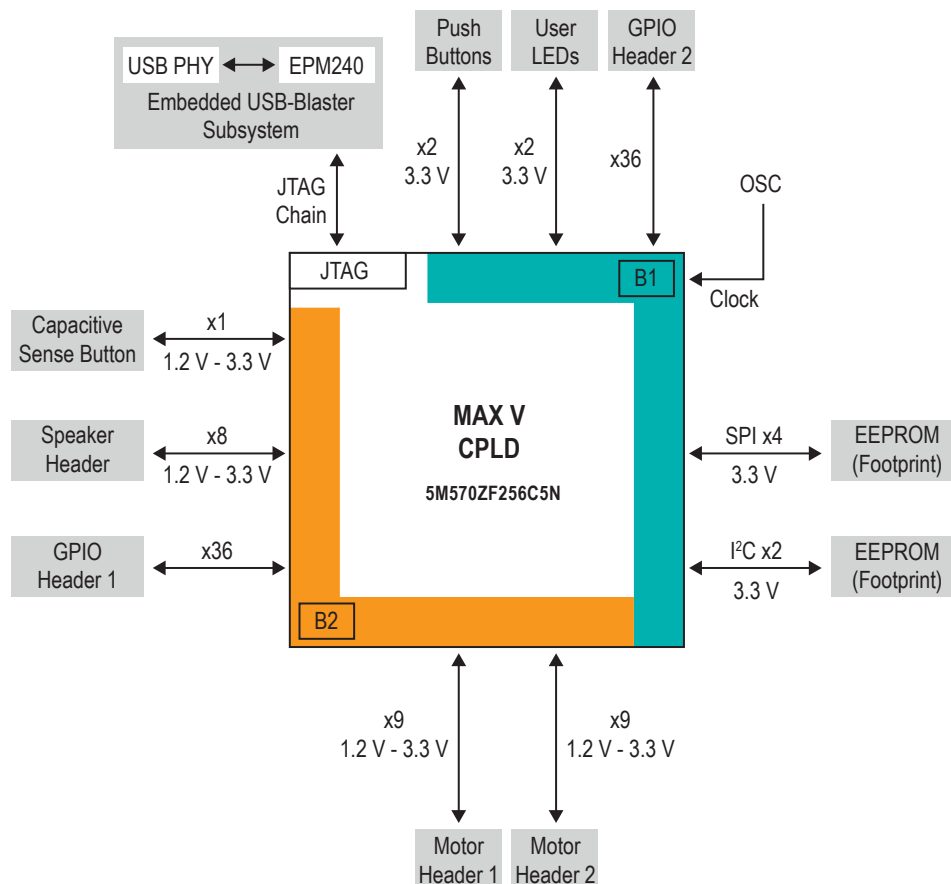


## MAX V CPLD Development Kit

Altera's MAX<sup>®</sup> V CPLD Development Kit provides a comprehensive, low-cost hardware platform to quickly begin developing low-cost, low-power CPLD designs. With this platform, you can:

- Develop designs for the 5M570Z CPLD.
- Measure CPLD power (VCCINT and VCCIO).
- Bridge between two different I/O voltages (adjustable VCCIO on CPLD Bank 2).
- Interface to external functions and devices, via four connectors.
- Read and write to memories:
  - 8-kilobits (Kb) user flash memory (UFM) available within 5M570Z CPLD
  - I2C or SPI EEPROMs (user installed)
- Come up to speed quickly with your CPLD design by reusing the example designs provided by the kit's Board Test System.
- Reuse the kit's PCB board and schematic as model for your design.

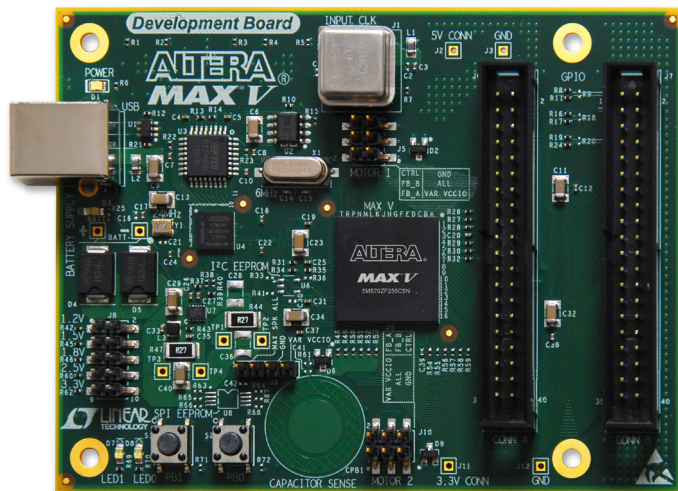


**Table 1. Altera's MAX V CPLD Development Kit Ordering Information**

Ordering Code	List Price	Information
DK-DEV-5M570ZN	\$74.95	Pre-orders accepted: Dec. 2010 Initial kit shipments: Feb. 2011

## Development Kit Contents

- MAX V CPLD development board (Figure 1)
  - MAX V device: 5M570Z, -5 speed, 256-pin FineLine BGA (FBGA) package
  - Configuration - Embedded USB-Blaster™ circuitry (JTAG)
  - Communication – USB port (type B)
  - Clocks:
    - Single-ended 10-MHz oscillator (4-pin, socket mounted)
    - CPLD internal oscillator 4.4 MHz (typical, user configurable frequency)
- Multiple expansion connectors:
  - Two general-purpose headers (2X 20-pin)
  - Standard PC speaker header (4-pin)
  - Two direct current (DC) motor headers (6-pin)
- Memories (not including the kit, PCB footprint only, optional customer installation):
  - I<sup>2</sup>C EEPROM
  - SPI EEPROM
- Power – USB cable (included, Type A-B)
- Power measuring circuitry
- User-controlled push buttons, a capacitive sense push button, and LEDs
- Restriction of hazardous substances (RoHS) compliant board and contents
- MAX V CPLD Development Kit software content
  - GUI-based Board Test System to exercise selected on-board components
  - User guide, reference manual, board schematics, layout, and design files
- Quartus® II Web Edition design software
  - Free and downloadable from [www.altera.com](http://www.altera.com)



### Altera Corporation

101 Innovation Drive  
San Jose, CA 95134  
USA  
Telephone: (408) 544-7000  
[www.altera.com](http://www.altera.com)

### Altera European Headquarters

Holmers Farm Way  
High Wycombe  
Buckinghamshire  
HP12 4XF  
United Kingdom  
Telephone: (44) 1494 602000

### Altera Japan Ltd.

Shinjuku i-Land Tower 32F  
6-5-1, Nishi-Shinjuku  
Shinjuku-ku, Tokyo 163-1332  
Japan  
Telephone: (81) 3 3340 9480  
[www.altera.co.jp](http://www.altera.co.jp)

### Altera International Ltd.

Unit 11-18, 9/F  
Millennium City 1, Tower 1  
388 Kwun Tong Road  
Kwun Tong  
Kowloon, Hong Kong  
Telephone: (852) 2945 7000

