

# Smart Radar Water Level Gauge

Product model: FSTRD-905&FSTRD-905A

Firstrate

The smart radar water level meter is a frequency modulated continuous wave (FMCW) radar product operating at 76-81GHz. The maximum range of the product can reach 65m, and the blind zone is 10cm. Due to its higher operating frequency, larger bandwidth and higher measurement accuracy. The product provides a bracket fixing method, eliminating the need for on-site wiring, making installation convenient and easy.

## ◆ Features

- ✓ Millimeter-wave RF chips enable a more compact RF architecture, higher signal-to-noise ratio, and smaller blind zones
- ✓ 5GHz working bandwidth enables the product to have higher measurement resolution and accuracy
- ✓ The narrowest antenna beam angle is 6°, interference in the installation environment has less impact on the instrument, and installation is more convenient
- ✓ Integrated lens design, compact size



FSTRD900-905  
Stainless steel water level gauge



FSTRD900-905A  
PP material water level gauge

## ◆ Technical parameter

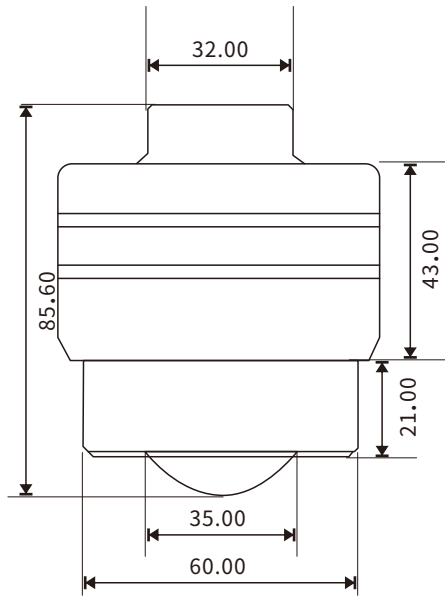
Measuring range	0.1m~65m	Shell material	Stainless steel/PP
Measurement accuracy	±2mm	Antenna type	Lens antenna
Beam angle	6°	Recommended cables	0.5mm <sup>2</sup>
Power supply range	9~28 VDC	Protection level	IP67
Communication method	RS485	Installation method	Bracket/thread
Operating temperature	-30~75°C	Cable entry	PG9

# Smart Radar Water Level Gauge

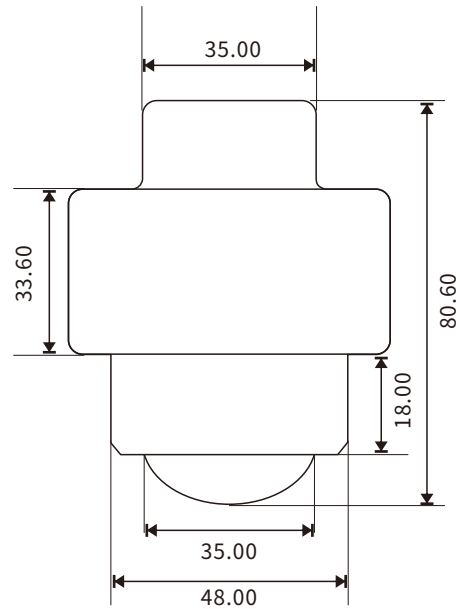
Product model: FSTRD-905&FSTRD-905A



## ◆ Product size



FSTRD900-905  
Dimensional drawing of  
stainless steel water level gauge



FSTRD900-905A  
Dimensional drawing of PP  
material water level gauge