

Pressure and Temperature Integrated Transmitter

Product model: FST800-217

◆ Features

- ✓ Advanced glass micro-melting process, the overall structure design of the elastomer, no hidden danger of leakage
- ✓ Consume the power of one sensor to measure pressure and temperature
- ✓ Built-in temperature/pressure sensitive element, the two outputs do not affect each other
- ✓ Excellent impact resistance, overload resistance, vibration resistance and corrosion resistance
- ✓ Efficient lightning protection, strong resistance to radio frequency and electromagnetic interference protection
- ✓ Advanced temperature digital compensation function, wide working temperature range



◆ Scope of application

- ◇ Industrial Process Detection and Control
- ◇ Hydraulic and pneumatic control system
- ◇ Automatic detection system
- ◇ Pumping stations and water treatment systems

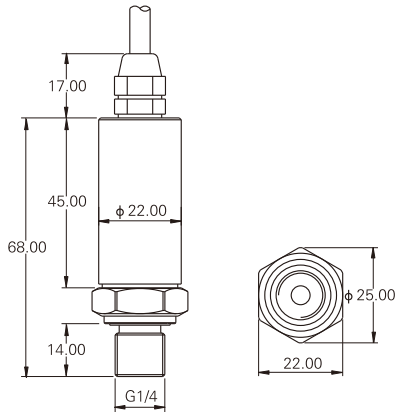
◆ Technical parameter

Pressure type	Gauge pressure, absolute pressure, sealed pressure		
Pressure range (bar)	6 10 16 25 40 60 100 160 200 250 300 400 500 600		
Signal output	Temperature signal: Pt100 or Pt1000 (2Wire) 4~20mA Pressure signal: 4~20mA		
Signal Line Specifications	2Wire	Operating temperature	-40~+125°C
Supply voltage	9~30VDC	Storage temperature	-40~+125°C
Pressure accuracy	±0.3%FS ±0.5%FS	Overload pressure	300%FS
Temperature accuracy	±0.5%FS	Breaking pressure	500%FS
Zero temperature drift	±0.02%FS/°C	Mechanical vibration	±20g
Sensitivity temperature drift	±0.02%FS/°C	Shock (11ms)	100g
Long-term stability (1 year)	±0.1%FS	Degree of protection	IP65
Response frequency (-3dB)	3.2kHz	Temperature range (°C)	-30~+125
Temperature compensation	-20~+85°C	Electromagnetic Compatibility (EMC)	EN61000-6
Material	17-4PH	Certification Program	CE RoHS
Electrical connections	Direct lead M12 connector		
Pressure port	M20×1.5 G1/4 NPT1/4 (others can be customized)		

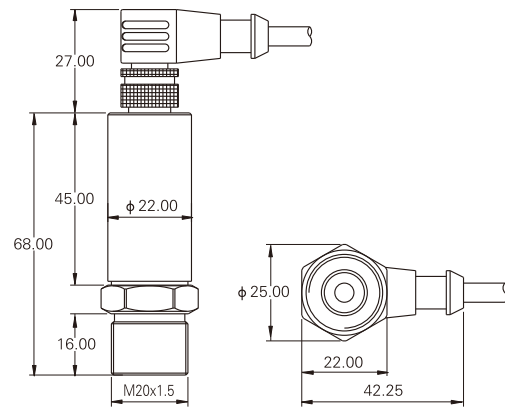
Pressure and Temperature Integrated Transmitter

Product model: FST800-217

◆ Product Dimensions

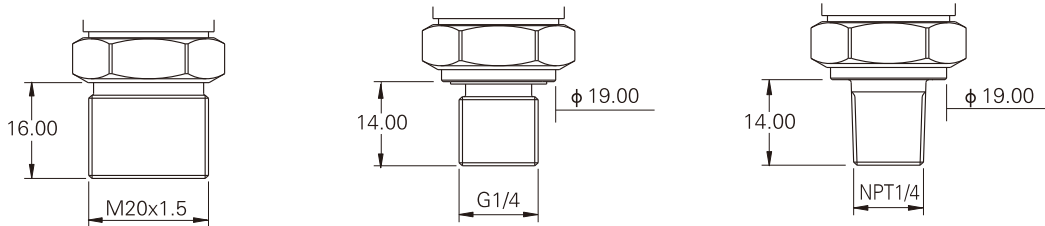


Direct lead



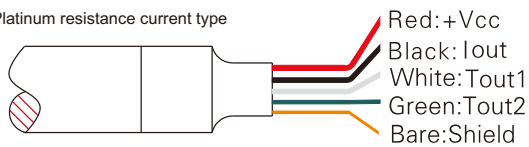
M12 connector

◆ Pressure port size

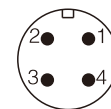


◆ Electrical interface and wiring method

Platinum resistance current type



Direct lead



Pressure signal: 4-20mA Temperature signal: Platinum resistance 	1	+Vcc	Brown
	2	Tout1	White
	3	Iout	Blue
	4	Tout2	Black

M12 connector