

Magnetic Displacement Sensor Built In Cylinder

Product model: FST400-3000

◆ Features

- ✓ Compact structure, built-in cylinder installation
- ✓ Robust and reliable, oil and dirt resistant
- ✓ Linear measurement, absolute value output
- ✓ Non-contact design, no wear
- ✓ High precision and high resolution

◆ Scope of application

- ◇ Servo hydraulic cylinder piston position feedback or preset
- ◇ Displacement control of casting and forging machine tools
- ◇ Timber processing positioning control
- ◇ Grinding mechanical position feedback or preset
- ◇ Injection molding machine template positioning and monitoring
- ◇ Other mechanical positioning and displacement detection



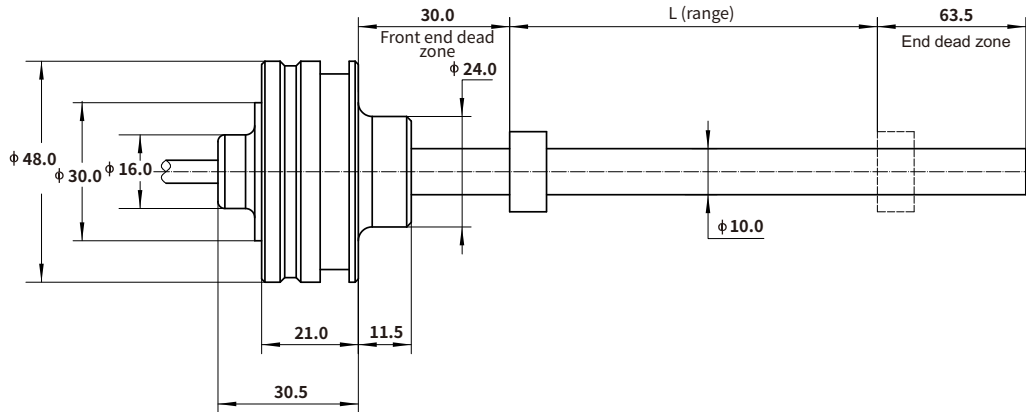
◆ Technical parameter

Measuring range	0~50...2000mm	Supply voltage	24VDC(-15%~+20%)
Output signal	4~20/20~4mA, 0~5/5~0VDC/0~10V/10~0VDC, SSI/RS232/RS485		
Supply voltage	24VDC(-15%~+20%)	Working current	<70mA
Polarity protection	Max -30VDC	Overpressure protection	33VDC max
Resolution	16-bit D/A	Repeatability	±0.008%FS
Operating temperature	-40~+85°C	Storage temperature	-40~+100°C
Temperature effect	<0.007%FS/°C	Humidity/Dew Point	Humidity 90%RH, no condensation
Position ring	Ring Magnetic Ring	Measuring rod pressure	≤34MPa
Electrical Interface	Straight out cable	Protection class	IP67
Material	Measuring rod: 316 stainless steel; electronic compartment: 304 stainless steel		
Nonlinearity	±0.05%FS、±0.1%FS、±0.3%FS、±0.5%FS		
Update time	Analog signal 0.5mS (travel<1000mm), 1.0mS (travel<2000mm)		



Magnetic Displacement Sensor Built In Cylinder

Product model: FST400-3000

◆ Product Dimensions



◆ Electrical Interface Definition

Straight line definition	
Thread color	Analog output
Brown	Power supply V+
White	Power supply V-
Yellow	
Green	
Grey	Signal output is positive Out+
Pink	Signal output negative Out-
Bare wire	Shielded wire