

Force Sensitive Resistor

Product Description

Force Sensitive Resistor are resistive sensor exhibiting vary resistance that responds to force applied to the sensing area. As force on the sensor is increased, resistance is decreased.

For the single-zone sensors, as the sensor is a Two-terminal device that can essentially be treated as a variable resistor whose value is controlled by applied force, and also a switch whose threshold is controlled by applied force and setting up.

The sensors are made up of robust polyester film, high-conductive material and nano-sized force sensing material. The top layer of the sensor consists of the area of force sensitive layer on a flexible film. And bottom layer is comprised of conductive circuit traces on a flexible film. And the above two layers are stick together by spacer adhesive and active area is without adhesive. When the active area is applied force, force sensitive layer on the top layer shunts the circuit traces on the bottom, varying resistance output terminals.

- Static / dynamic pressure sensing
- Quick response
- Durable long life
- Customized design

Technical Data and Physical Properties

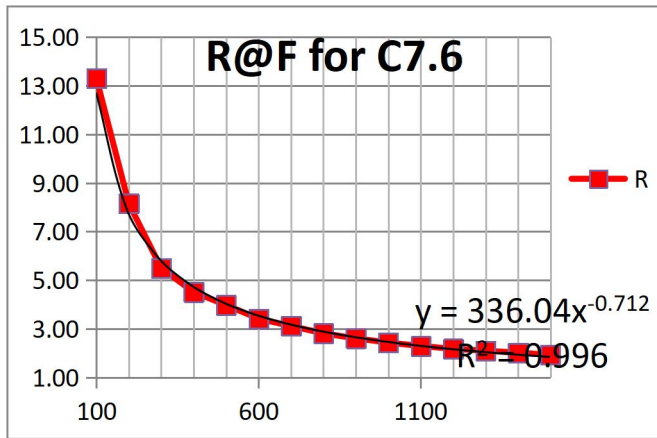
Thickness	0.2mm with Rear ADH
-----------	---------------------

Shape	flexible
Actuation force	2g, Res. <=500KΩ
Sensitivity range	2g to 1500g
Resolution	continuous
Non-actuated resistance	>10M Ω
Response time	<10us
Operating temperature	-20°C~+65°C
Life time	>1 million
Repeatability Same part	+/-3%, Average R@1000g
Repeatability part to part	+/-10% Average R@1000g
Hysteresis	+10% , (RF+ - RF-)/FR+ , 1000g
EMI	Generates no EMI
EDS	not ESD sensitive
Drift	<5%, 1kg load, 24H

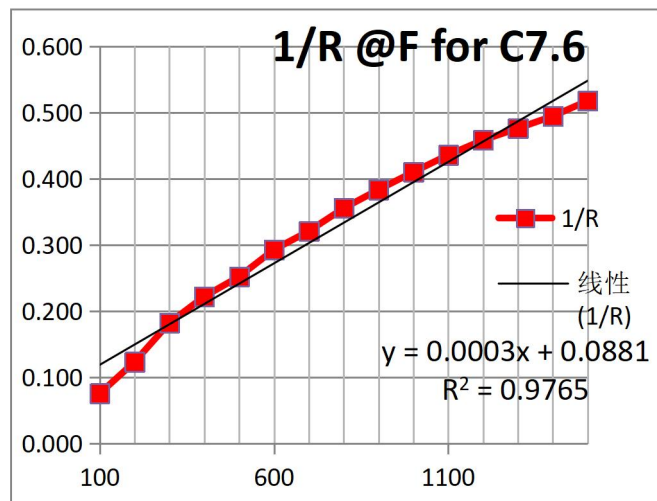
RoHS 

Force curve

The following plot shows an example response resistance curve, when the sensor actuated by a force curve tester.



The following plot shows an near-linear curve which is $1/R @F$.

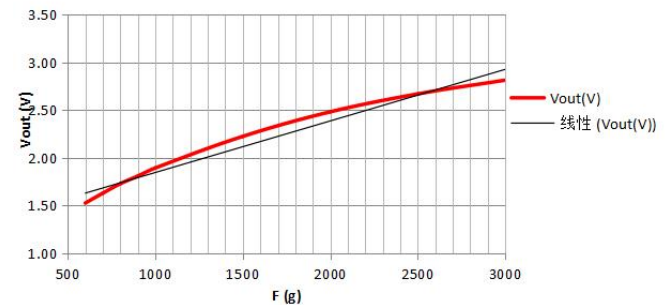
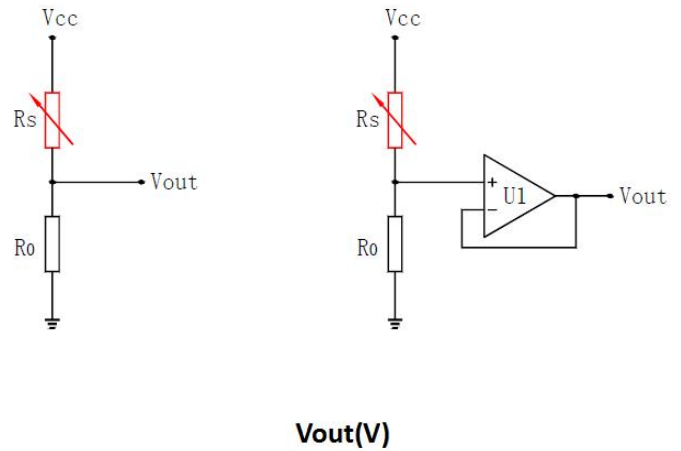


Application Circuit

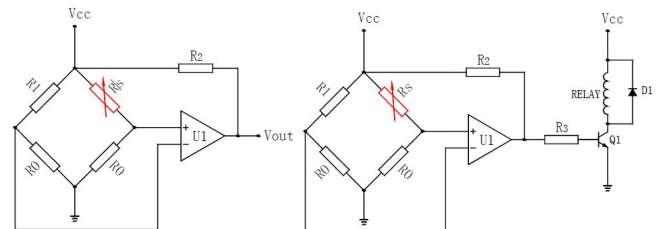
1. Voltage Divider

The sensor is placed in series with a fixed resistor (R_0), and output voltage is measured across R_0 . It is given by $V_{out} = V_{cc} \cdot R_0 / (R_0 + R_s)$.

How to define the fixed resistor value, Basically, R_0 is $1/3$ to $1/2$ of the resistance range of R_s . What's more, if R_0 is appropriate, you can get a near-linear curve of Force vs V_{out} in a special force range. Depending on the impedance requirements of the measuring circuit, the voltage divider could be followed by an op-amp.



2. Force Threshold Switch



This is an ideal circuit for applications that require on-off switching at a specified force. It consists of a Wheatstone bridge circuit and a voltage comparator.

When force is applied and R_s becomes lower than R_1 , the non-inverting input ($U1+$) becomes higher than the inverting input ($U1-$), and V_{out} becomes high. This high-level signal can be used to trigger a signal for following devices, for example, it can trigger a relay, and then control LEDs, buzzer warning, motor and other load devices.

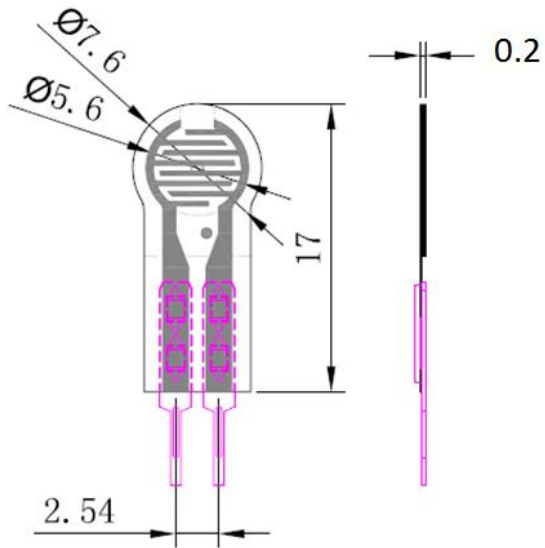
Custom sensors

We can design specialized sensors to meet the customers' unique requirements. It is

including specialized shape and size, specialized force vs. resistance characteristic, special material and thickness, unique active

area shape and quantity, and also connection options.

Mechanical data of RP-C7.6ST-LF2



Note:

The above information is considered correct and is prepared for professional, competent users who are able to properly evaluate and use these data. Film sensor Technology Co., Ltd does not guarantee the accuracy of these data, the use of the damage occurred in the process of no responsibility.