

Pressure-resistant outer tube magnetostrictive displacement sensor

Product model: FST400-1000

◆ Features

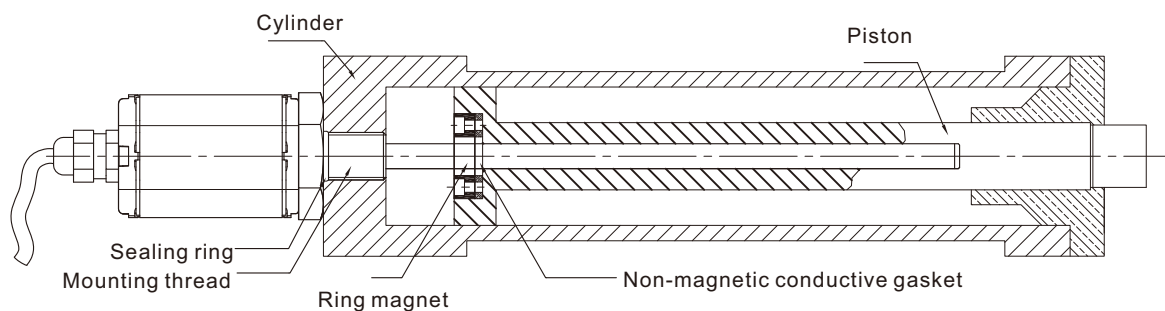
- ✓ Robust and reliable, oil and dirt resistant
- ✓ High precision and high resolution
- ✓ Low power consumption, low temperature drift
- ✓ Non-contact measurement, no wear
- ✓ Linear measurement, absolute value output
- ✓ Modular and universal design, easy maintenance
- ✓ LED fault indication



◆ Technical parameter

Measuring range	0~200...2000mm	current signal	4~20mA 20~4mA (Min/Max load: 0/500Ω)
Supply voltage	24VDC(-15%~+20%)	Accuracy	±0.3%FS、±0.1%FS
Operating temperature	-40~+85°C	position ring	Ring Magnetic Ring, Conventional Float, Corrosion Resistant Float
Polarity protection	Max -30VDC	mounting thread	M18x1.5
Overpressure protection	33VDC max	Electrical Interface	Straight out cable (standard cable length 1m)
Resolution	16-bit D/A	Protection class	IP67
material	Stem: 316 stainless steel		
	Electronic warehouse: 304 stainless steel		

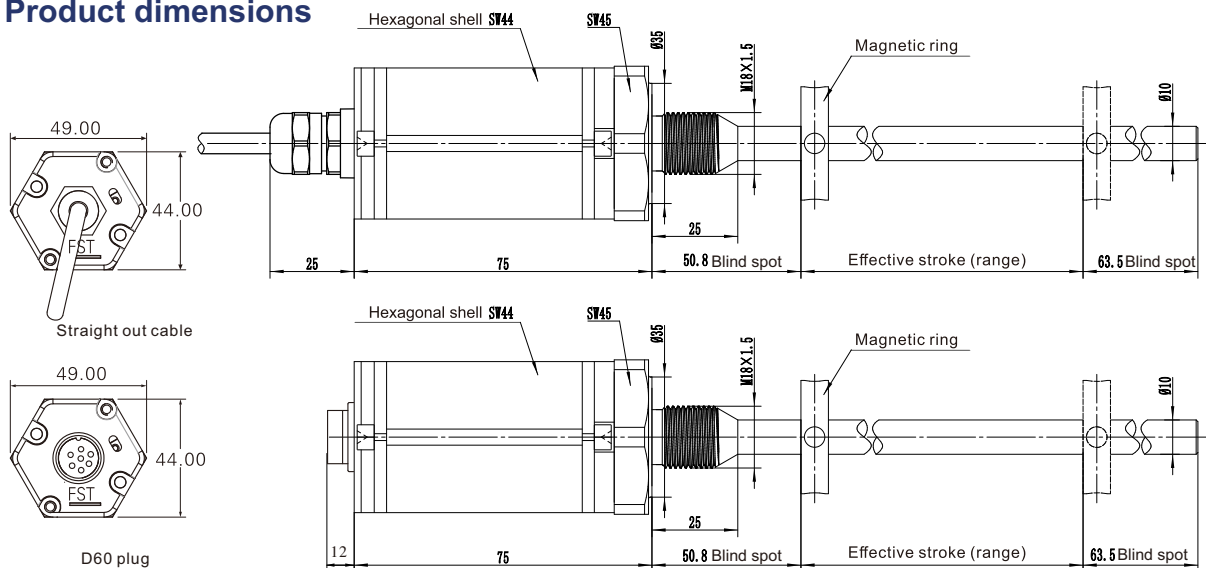
◆ Application installation diagram



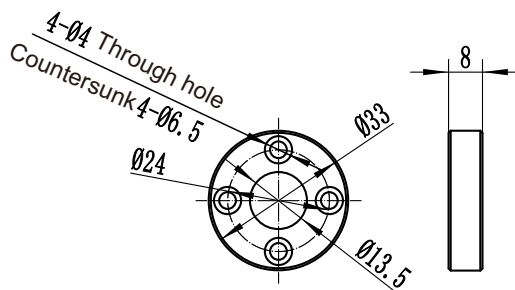
Pressure-resistant outer tube magnetostrictive displacement sensor

Product model: FST400-1000

◆ Product dimensions



Magnetic ring size



◆ Electrical interface definition

Direct line definition			
Thread color	Function		
	Analog output	Modbus output	SSI output
Brown	Power supply V+	Power supply V+	Power supply V+
White	Power supply V-	Power supply V-	Power supply V-
Yellow		RS485-A	CLOCK+
Green		RS485-B	CLOCK-
Grey	Signal output positive Out+		DATA+
Pink	Signal output negative Out-		DATA-
Bare wire	Shielded wire	Shielded wire	Shielded wire

Wiring diagram		Definition of six-core aviation plug-in line			Definition of seven-core aviation plug-in line		
Needle size	Thread color	Function		Thread color	Function		
		Analog output	Digital output		Analog output	Digital output	
1	Grey	Signal output		Brown	Power supply V+	Power supply V+	
2	Pink	DC ground/current return		White	Power supply V-	Power supply V-	
3	Yellow		RS485-A	Yellow		RS485-A	
4	Green		RS485-B	Green		RS485-B	
5	Brown	Power supply V+	Power supply V+	Grey	Signal output		
6	White	Power supply V-	Power supply V-	Pink	DC ground/current return		
				Bare wire	Shielded wire	Shielded wire	