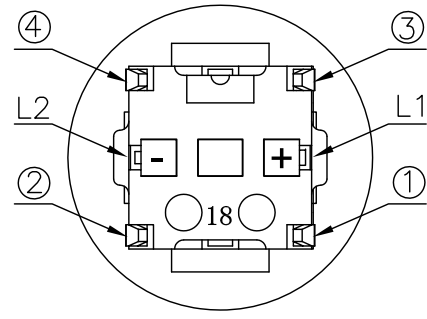
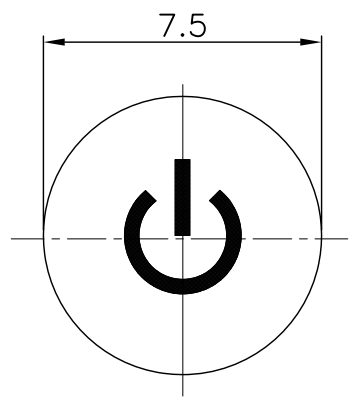
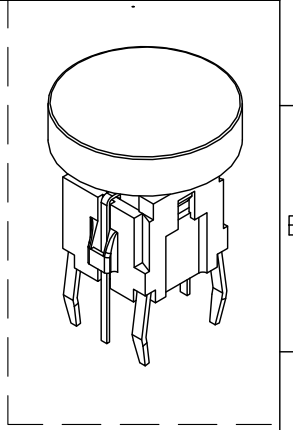
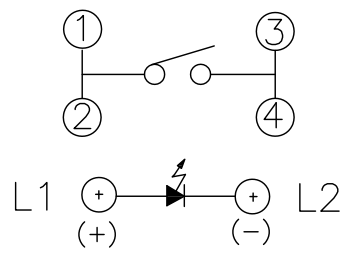


REV	DESCRIPTION	DRW	DATE
A	NEW	LI LI	2010-5-16

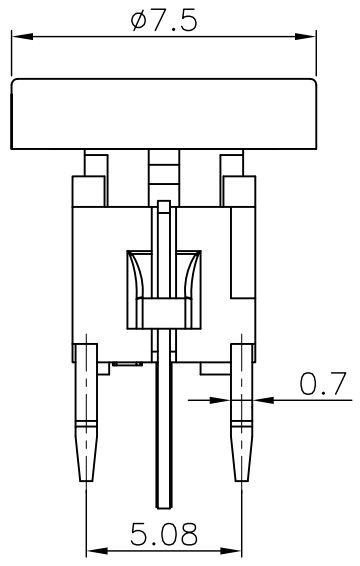
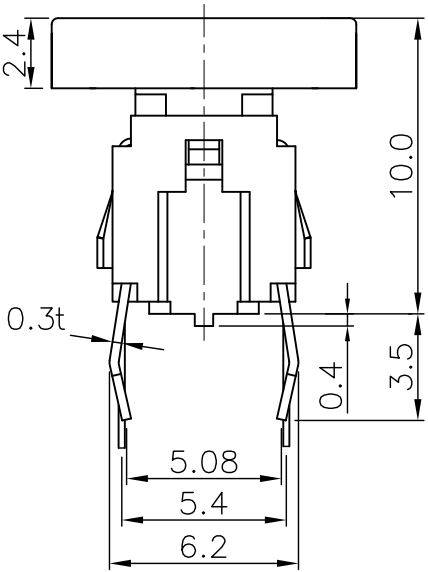
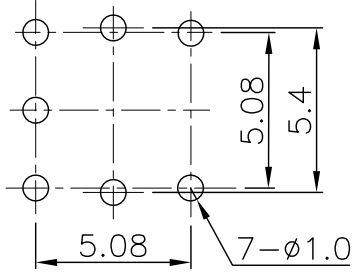
- NOTES:
 1.RATING: 12VDC 50mA
 2.CONTACT RESISTANCE: 100mΩ Max
 3.INSULATION RESISTANCE: 100MΩ 250VDC FOR 1MIN
 4.DIELECTRIC STRENGTH: 250VAC(50/60Hz) FOR1MIN
 5.LIFE TEST:100,000 CYCLES
 6.OPERATION FORCE&TRAVEL: SEE SPECIFICATION



CIRCUIT



P.C.B LAYOUT



6		
5	TERMINAL	Bronze Silver Plated
4	CONTACT	ABS
3	LED	GaAsP/GaP
2	BUTTON	POM
1	HOUSING	PBT
ITEM	PART NAME	MATERIAL

LED COLOR									
1	2	3	4	5	6	12	13	14	23
Red	Yellow	Green	Blue	White	Pure Green	Red Yellow	Red Green	Red Blue	Yellow Green

TOLERANCE				PART NO.:		TITLE	TACT SWITCH
UNLESS OTHERWISE STATED				带灯开关		MODEL	
X.X	±0.25	∠	±0.5°	DRAWN	DATE	MATL	
X.XX	±0.1	UNIT	mm	LI LI	2010.05.16	FINISH	
REV	A	SCALE	4:1	CHK'D	DATE		
SIZE	A4	SHEET	1 OF 1	Wang	2010.05.16		