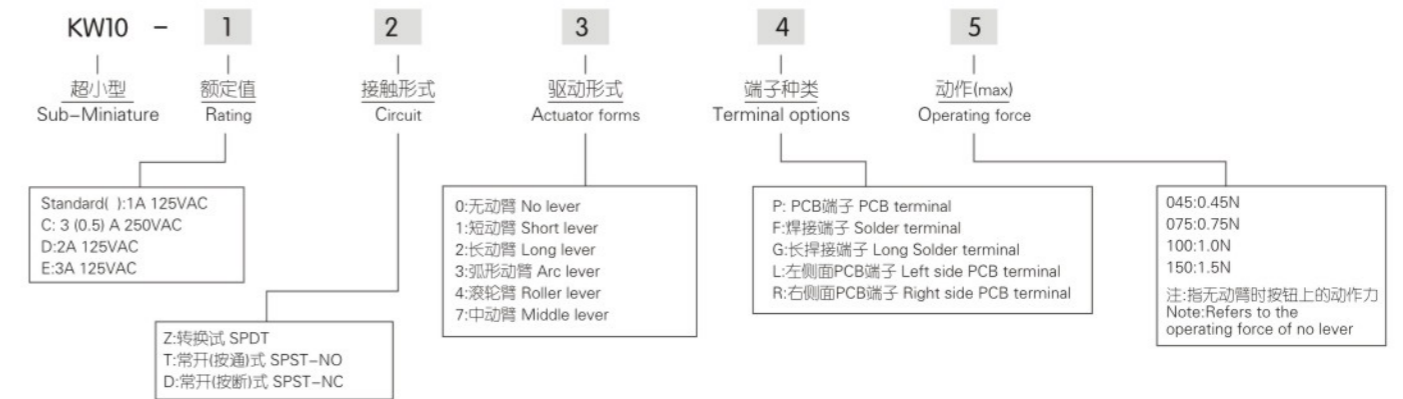


超小型微动开关 Sub-Miniature Micro Switch

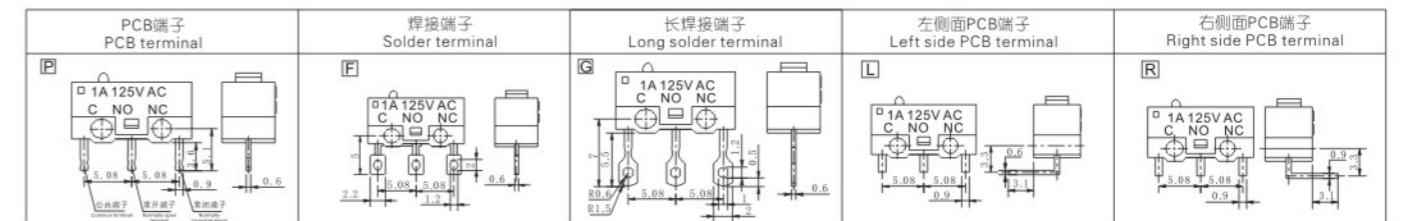
技术特性 Specifications

1. 规格 Rating: 1A~3A 125/250VAC
2. 接触电阻 Contact Resistance:  $\leq 50m\Omega$
3. 绝缘电阻 Insulation Resistance:  $\geq 100M\Omega$  (500VDC)
4. 耐电压 Dielectric strength: 600VAC 1Minute
5. 操作温度 Operating Temperature:  $-25^{\circ}C \sim +75^{\circ}C$
6. 环境湿度 Ambient Humidity Used:  $< 85\%RH$
6. 电气寿命 Electrical Life:  $\geq 10,000$  Cycles
7. 机械寿命 Mechanical Life:  $\geq 100,000$  Cycles

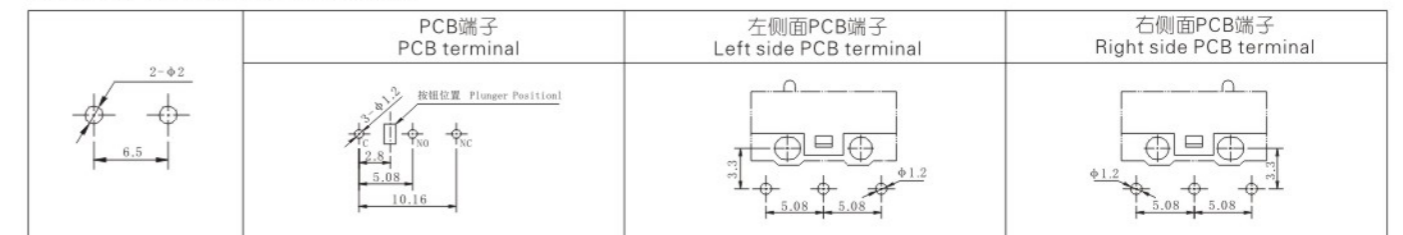
选型说明 How to order



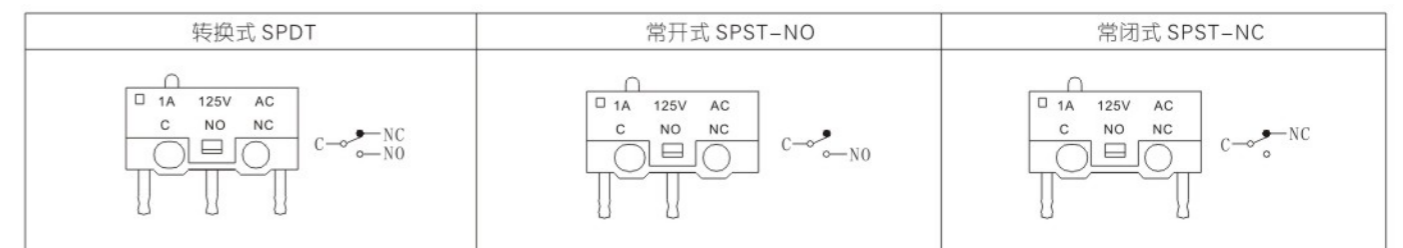
端子尺寸 Terminal dimensions



安装孔尺寸 Mounting hole dimensions



接触形式说明书 Circuit illustration



外形尺寸 Dimension

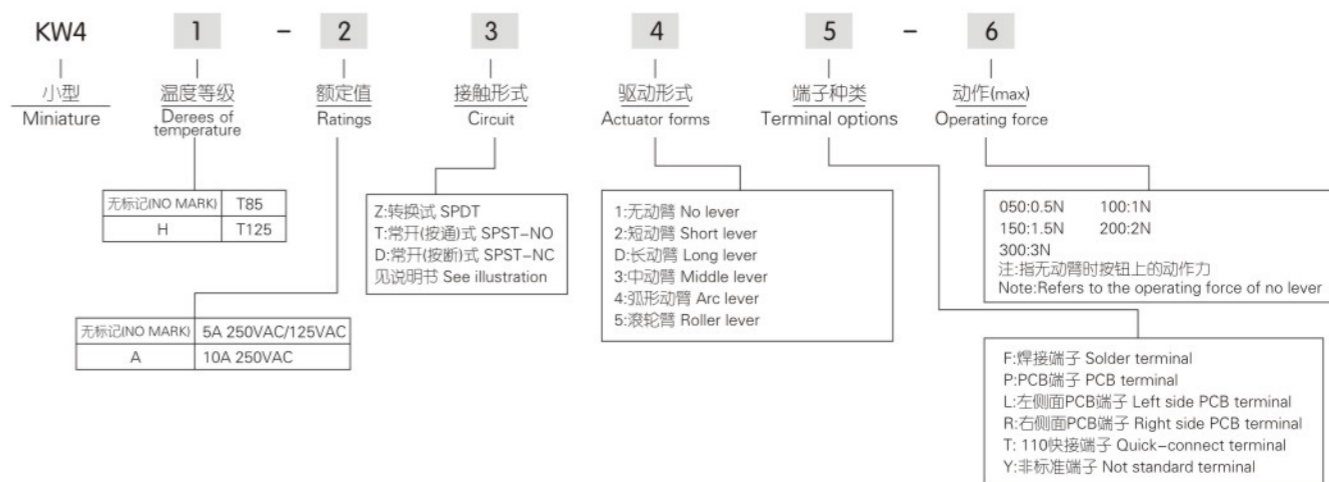
	<p>KW10-Z0P075 1A 125VAC                  KW10-CZ0P075 3A 250VAC                  KW10-DZ0P075 2A 125VAC                  KW10-EZ0P075 3A 125VAC</p>	
	<p>KW10-Z1P075 1A 125VAC                  KW10-CZ1P075 3A 250VAC                  KW10-DZ1P075 2A 125VAC                  KW10-EZ1P075 3A 125VAC</p>	
	<p>KW10-Z2P075 1A 125VAC                  KW10-CZ2P075 3A 250VAC                  KW10-DZ2P075 2A 125VAC                  KW10-EZ2P075 3A 125VAC</p>	
	<p>KW10-Z3P075 1A 125VAC                  KW10-CZ3P075 3A 250VAC                  KW10-DZ3P075 2A 125VAC                  KW10-EZ3P075 3A 125VAC</p>	
	<p>KW10-Z4P075 1A 125VAC                  KW10-CZ4P075 3A 250VAC                  KW10-DZ4P075 2A 125VAC                  KW10-EZ4P075 3A 125VAC</p>	
	<p>KW10-Z7P075 1A 125VAC                  KW10-CZ7P075 3A 250VAC                  KW10-DZ7P075 2A 125VAC                  KW10-EZ7P075 3A 125VAC</p>	

小型微动开关 Miniature Micro Switch

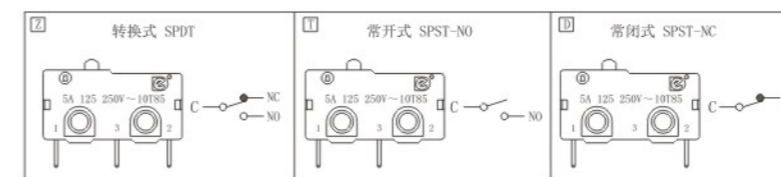
技术特性 Specifications

1. 规格 Rating: 5A~10A 125/250VAC
2. 接触电阻 Contact Resistance:  $\leq 50m\Omega$
3. 绝缘电阻 Insulation Resistance:  $\geq 100M\Omega$  (500VDC)
4. 耐电压 Dielectric strength: 1000VAC 1Minute
5. 操作温度 Operating Temperature:  $-25^{\circ}C \sim +85^{\circ}C$
6. 环境湿度 Ambient Humidity Used:  $< 85\%RH$
6. 电气寿命 Electrical Life:  $\geq 10,000$  Cycles
7. 机械寿命 Mechanical Life:  $\geq 100,000$  Cycles

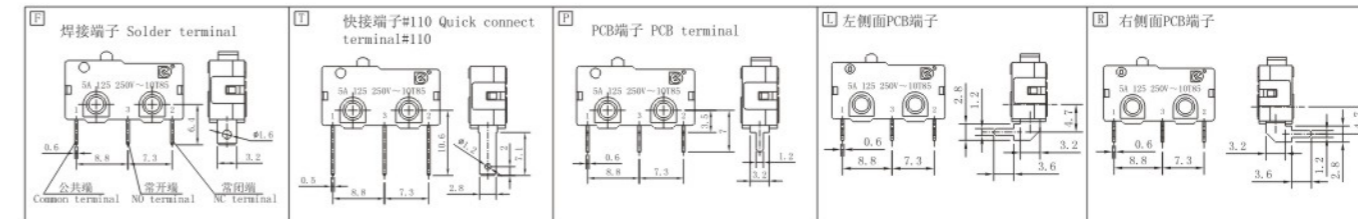
选型说明 How to order



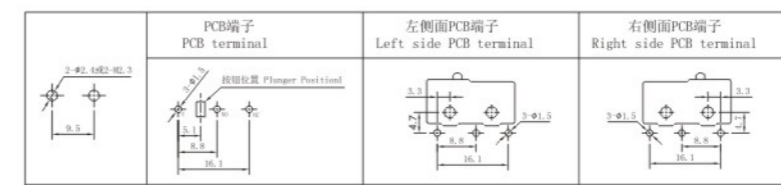
接触形式说明书 Circuit illustration



接线端子尺寸 Terminal dimensions



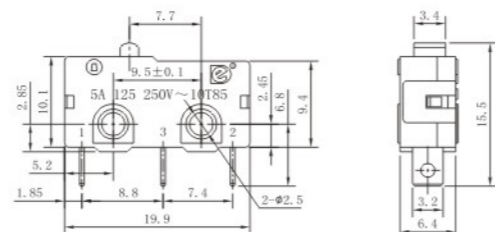
安装孔尺寸 Mounting hole dimensions



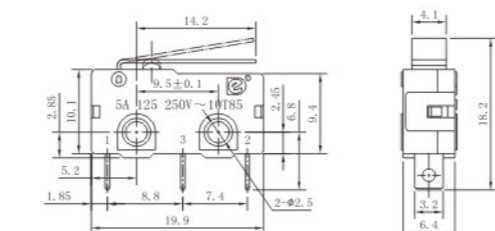
外形尺寸 Dimension



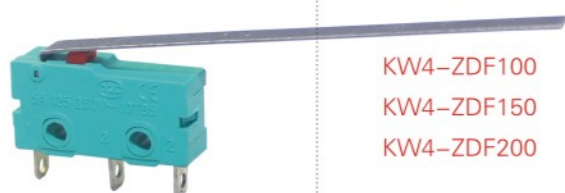
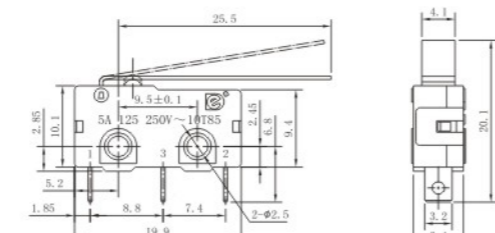
KW4-Z1F100  
KW4-Z1F150  
KW4-Z1F200



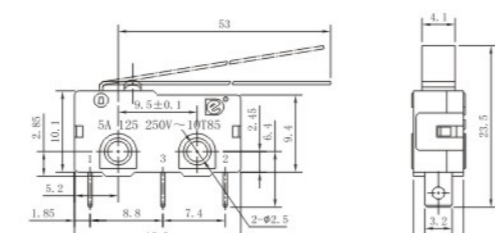
KW4-Z2F100  
KW4-Z2F150  
KW4-Z2F200



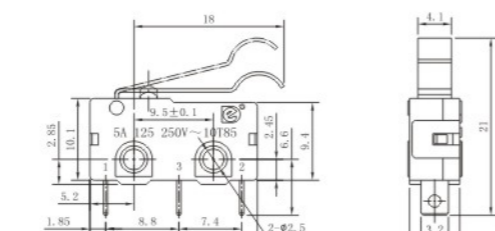
KW4-Z3F100  
KW4-Z3F150  
KW4-Z3F200



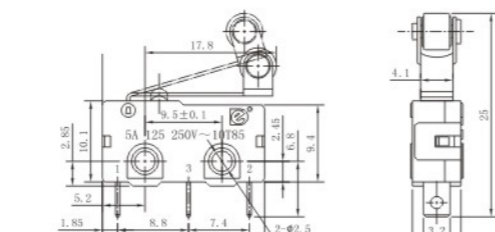
KW4-ZDF100  
KW4-ZDF150  
KW4-ZDF200



KW4-Z4F100  
KW4-Z4F150  
KW4-Z4F200



KW4-Z5F100  
KW4-Z5F150  
KW4-Z5F200



中型微动开关系列 Medium Micro Switch

技术特性 Specifications

1. 规格 Rating: 16A 250VAC/20A 125VAC
2. 接触电阻 Contact Resistance:  $\leq 30m\Omega$
3. 绝缘电阻 Insulation Resistance:  $\geq 100M\Omega$  (500VDC)
4. 耐电压 Dielectric strength: 1500VAC 1Minute

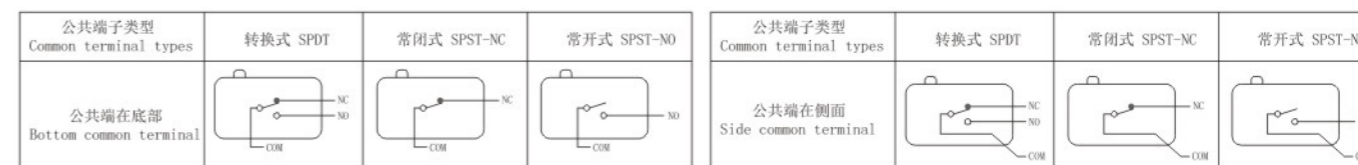
注:指无动臂时按钮上的动作力 Note:Refers to the operating force of no lever

5. 操作温度 Operating Temperature:  $-25^{\circ}C \sim +85^{\circ}C$
6. 环境湿度 Ambient Humidity Used:  $<85\%RH$
6. 电气寿命 Electrical Life:  $\geq 10,000$  Cycles
7. 机械寿命 Mechanical Life:  $\geq 100,000$  Cycles

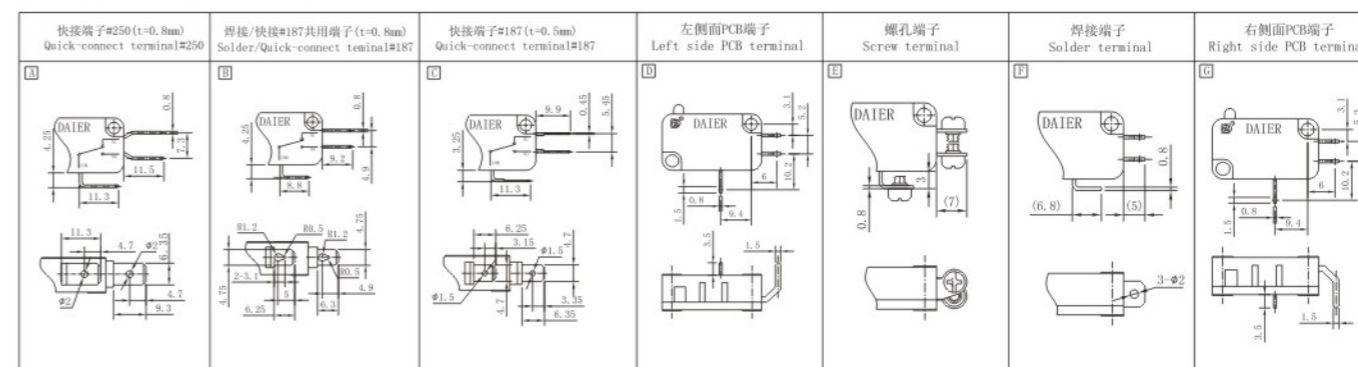
选型说明 How to order




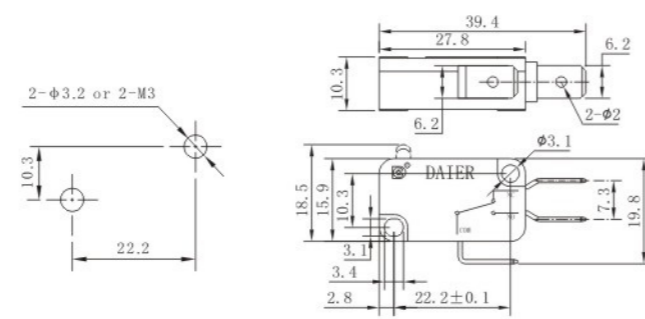

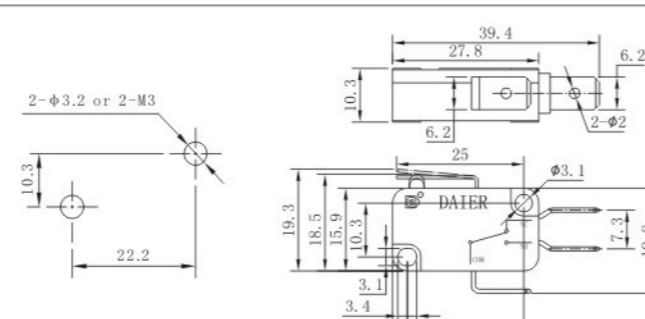

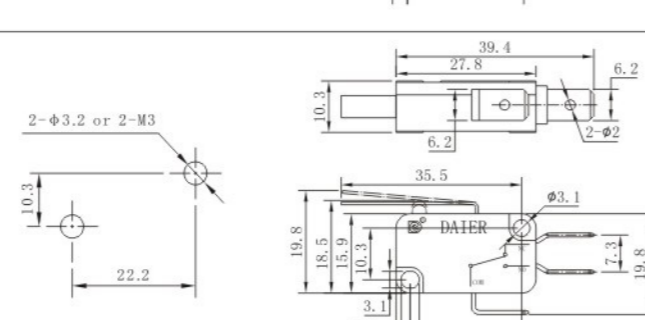

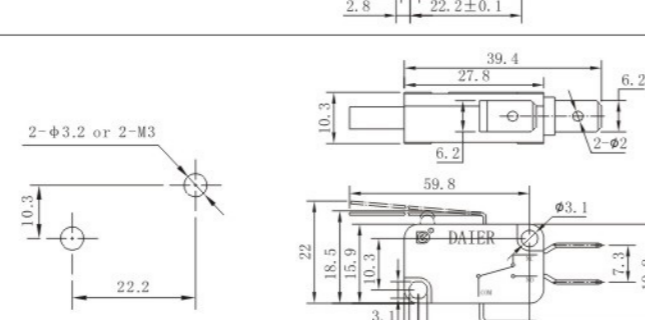

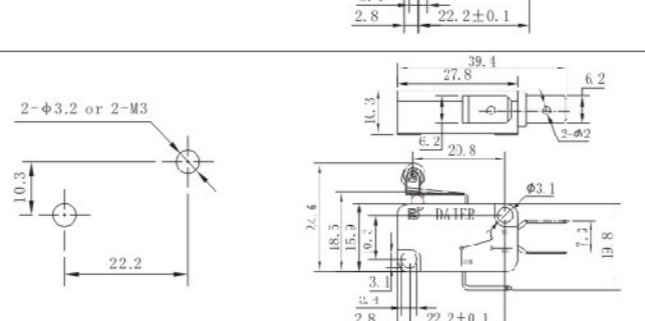
接触形式说明书 Circuit illustration


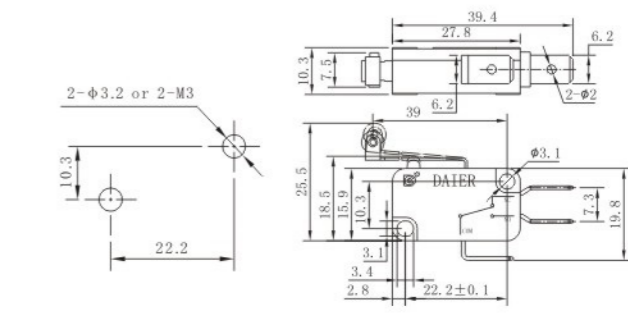

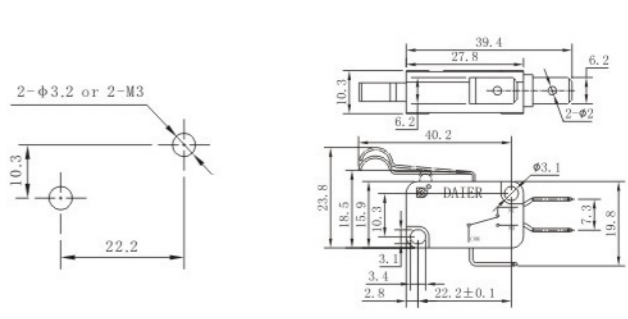

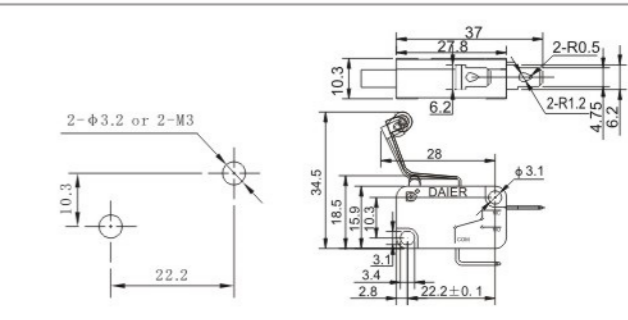

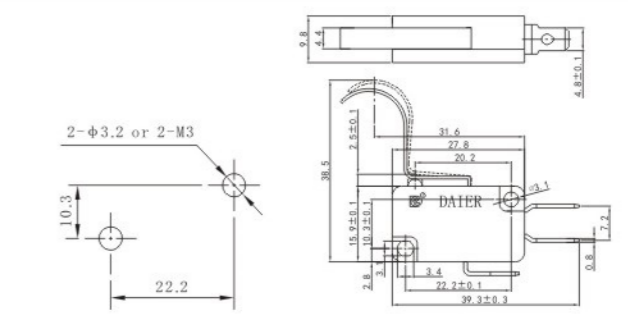

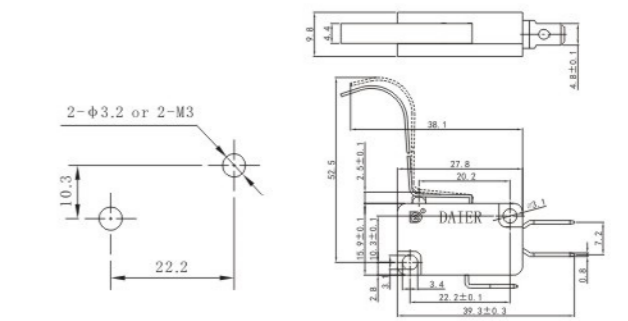


接线端子尺寸 Terminal dimensions



外形尺寸 Dimension

	<p>KW1-103-Z1A100 KW1-103-Z1A150 KW1-103-Z1A200 KW1-103-Z1A300</p>	
	<p>KW1-103-Z2A100 KW1-103-Z2A150 KW1-103-Z2A200 KW1-103-Z2A300</p>	
	<p>KW1-103-Z3A100 KW1-103-Z3A150 KW1-103-Z3A200 KW1-103-Z3A300</p>	
	<p>KW1-103-Z4A100 KW1-103-Z4A150 KW1-103-Z4A200 KW1-103-Z4A300</p>	
	<p>KW1-103-Z6A100 KW1-103-Z6A150 KW1-103-Z6A200 KW1-103-Z6A300</p>	

	<p>KW1-103-Z7A100 KW1-103-Z7A150 KW1-103-Z7A200 KW1-103-Z7A300</p>	
	<p>KW1-103-Z5A100 KW1-103-Z5A150 KW1-103-Z5A200 KW1-103-Z5A300</p>	
	<p>KW1-103-D13B100 KW1-103-D13B150 KW1-103-D13B200 KW1-103-D13B300</p>	
	<p>KW1-103-Z11A100 KW1-103-Z11A150 KW1-103-Z11A200 KW1-103-Z11A300</p>	
	<p>KW1-103-Z12A100 KW1-103-Z12A150 KW1-103-Z12A200 KW1-103-Z12A300</p>	

		
KW1-103-Z2B-D	WK1-1 6A 125V; 3A 250VAC	G303-A3 0.1A 250VAC;3A12VDC IP67
		
KW1-103-Q Air Pressure Switch	KW-1037 16~26A 250VAC	G303-A13 0.1A 250VAC;3A12VDC IP67
		
BVM3 ON-(OFF) 10A 250VAC;15A 125VAC	KW-1038 16~26A 250VAC	WS1-Z3-F150 5A 250VAC IP67
		
HS-1 有声型	KW-1039 16~26A 250VAC	WS1-Z6-W150R200 5A 250VAC IP67
		
KW4-OZ 6A 125VAC; 3A 250VAC	WS3-Z3-F150 2A 250VAC;3A 30VDC IP67	WS2-Z6F200 10A 125/250VAC IP67
		
WK3-1 6A 125VAC; 3A 250VAC	G1105 5A 250VAC IP67	WS2-Z4W200 10A 125/250VAC IP67

		
Z-15G-B	Z-15HW24-B	D4MC-1000
		
Z-15GD-B	Z-15HW78-B	D4MC-1020
		
Z-15GW21-B	Z-15GW2277-B	D4MC-2000
		
Z-15GW-B	Z-15GQ-B	D4MC-2020
		
Z-15GW22-B	Z-15GQ22-B	D4MC-5000
		
Z-15GW2-B	Z-15GQ21-B	D4MC-5020