

YUEQING DAIER ELECTRON CO., LTD.

乐清市戴尔电子有限公司

FOR APPROVAL

承認書

Customer name:

客户名稱: _____

Customer parts No.:

客户料號: _____

Designation:

本廠系列: _____ 电源锁 **KS-01-101C**

Model No.:

本廠型號: _____ **KS-01-101C**

DGN.制表人	CKD.校对	APPD.审核
王明鑫	甘前	陈建安
Date 日期: 2013-10-29	Date 日期: 2013-10-29	Date 日期: 2013-10-29
承認書專用章		

Please confirm our specification. 敬請確認規格書之內容.

Please confirm and return 1 copy. 請確認後惠返(1)份.

Approved by Customer			
Approved 接受		Failed 不接受	
Signature 簽署:		Signature 簽署:	
Date 日期:		Date 日期:	

Technical Specifications 技术特性规格书	No.:DR80.040.001
	Total 2 pages 共 2 页 No.1 page 第 1 页

1. Scope 适用范围

This specification is applied to Switch used for electronic equipment and appliance.

此规格书适应电子及电器设备上的开关。

2. Construction 外观尺寸

The external dimensions of this product and its internal tolerances are based on relevant drawings.

本产品外形及内部结构配合（公差）尺寸，均以图纸为准。

3. Material 材料

Refer to the material sheet showed in the drawing.

均以图纸所列材料为准。

4. Applied environment 使用环境

(1) Temperature 温度: -25° C ~ +85° C

(2) Relative humidity 相对湿度: 35% ~ 85%

(3) Air pressure 气压: 86Kpa ~ 106Kpa

5. Electrical properties 电气性能指标

No. 序号	Items 项目	Technical conditions 技术条件	Technical requirements 技术要求	Memo 备注
5.1.	Rating load 额定负荷	125V AC 250V AC	1A 0.5A	
5.2	Withstand Voltage 耐电压	AC 500V(50 Hz) 1min 2mA	No abnormality, no breakdown, no over arc. 无异常、无击穿、 飞弧	
5.3	Contact resistance 接触电阻	All terminals will be test but not include Socket ground pin and swetch part. 全部端子进行测试不包括插座，接地片以 及开关部分。	≤100mΩ	
5.4	Insulation resistance 绝缘电阻	Test voltage: 500V DC 1min ± 5s. 测试电压：500V DC 1分钟 ± 5秒 Test position: Between all terminals between terminals and base. 测试位置： 在开路端子之间；在端子与基座之间。	≥100MΩ 500V DC	

6. Mechanical properties 机械性能指标

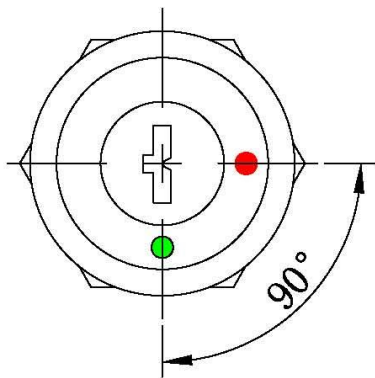
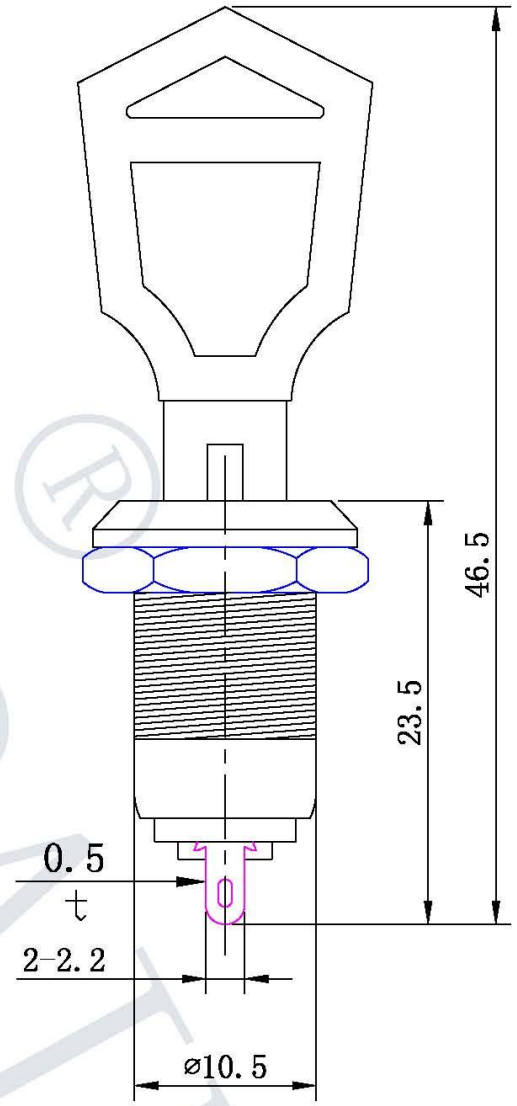
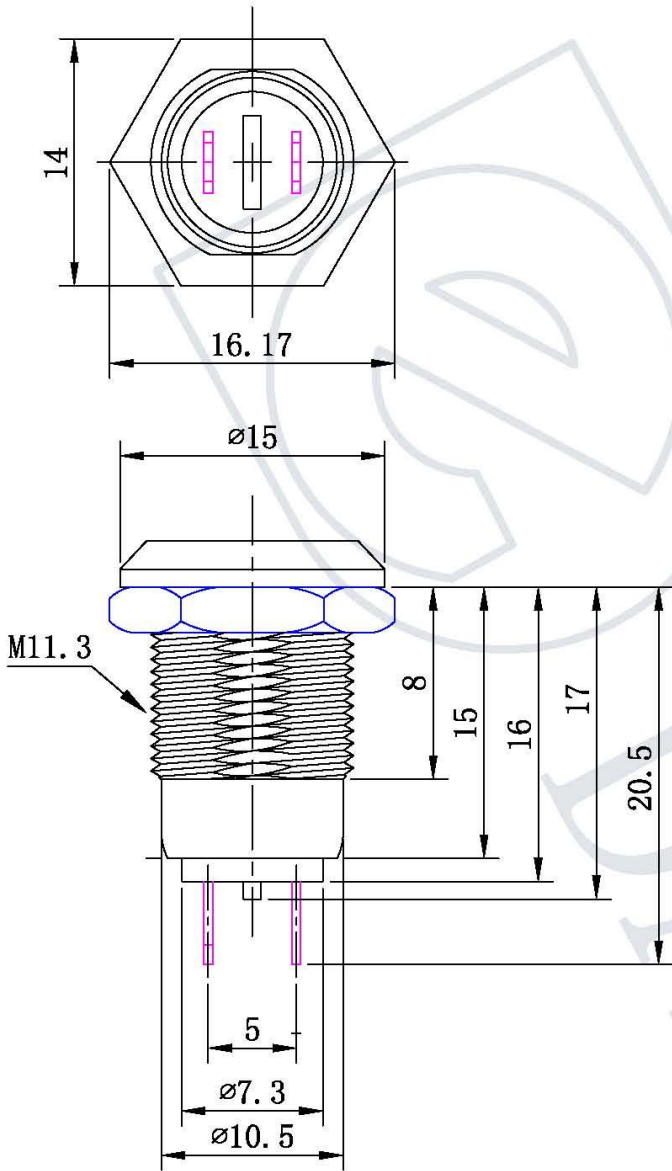
No. 序号	Items 项目	Technical conditions 技术条件	Technical requirements 技术要求	Memo 备注
6.1	Mechanical life 机械寿命	Inserting and extracting 5000times max. 在无负荷情况下插拔 5000次最大。	Terminal can't looseness,damage And breakage,and according to Item4. 端子无松动损坏并符合第 4项要求。	
6.2	Handle 手感	The key inserts good enough, revolve from such as, have no card Zhi phenomenon. 钥匙插入到位, 旋转自如, 无卡滞现象。		

7.Soldering properties 焊接性能

No. 序号	Items 项目	Technical conditions 技术条件	Technical requirements 技术要求	Memo备注
7.1	Solder-ability 可焊性试验	Solder bath method: Temperature: 235° C ± 5° C Flux dipping time 3s ± 0.5s seconds 使用焊槽法: 温度: 235° C ± 5° C; 时间: 3s ± 0.5s	Solder covered surface > 90% 接线端沾锡面积 > 90%	
7.2	Soldering withstanding 耐焊接热试验	Dip soldering锡炉式 260 ± 10° C 3s ± 1s Manual soldering手焊式 350 ± 10° C 5s ± 1s	No abnormalities shall be observed in appearance and Operation,and according to item4. 不应有外观变形和动作异常现象, 并应符合第 4项的要求。	

8.Attachment: product drawing (KS-01-101C)1copy.

附: 产品图纸 (KS-01-101C)1 份



安装尺寸

