

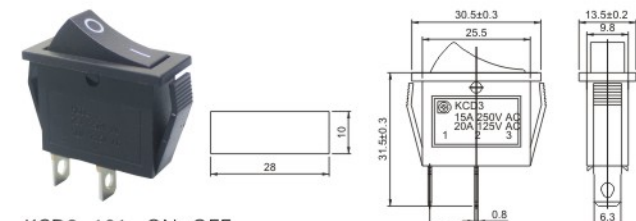
### KCD3 Series Rocker Switch

#### 技术特性 Specification

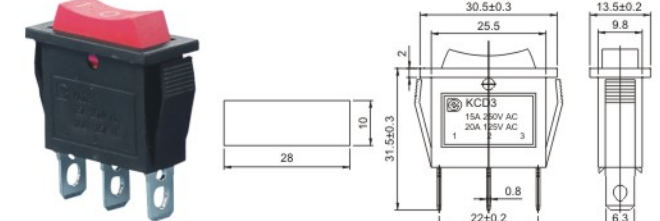
- |   |   |
|---|---|
| 1. 规格 Rating: 20A 125VAC; 15A 250VAC            | 4. 耐电压 Dielectric Strength: 1500VAC, 1 Minute |
| 2. 接触电阻 Contact Resistance: 35mΩ max            | 5. 操作温度 Operating Temperature: -25°C~ +85°C   |
| 3. 绝缘电阻 Insulation Resistance: 500VDC 100MΩ min | 6. 电气寿命 Electrical Life: ≥10,000 Cycles       |

#### 型号说明 Model Information

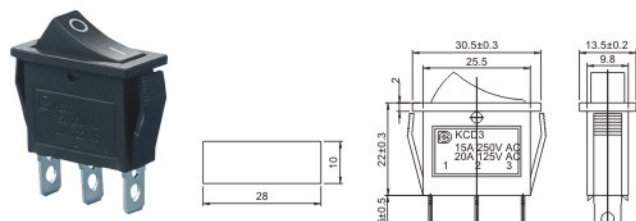
<b>KCD</b>	<b>3</b>	<b>-</b>	<b>2</b>	<b>-</b>	<b>1</b>	<b>01</b>	<b>N</b>	<b>W</b>	<b>L</b>	<b>-</b>	<b>C3</b>	<b>-</b>	<b>R</b>	<b>B</b>	<b>-</b>	<b>220V</b>
	特征 Features		序号 Series		刀数 Poles	功能 Function	带灯状态 Lamp	按钮类型 Actuator	端子类型 Terminals		标记 Marking		按钮颜色 Actuator Color	外壳颜色 Housing Color		灯电压 Lamp Volt
	1 Miniature 2 Medium 2 poles 3 Medium 1 pole 5 Sub-Miniature		1 1 pole 1 button 2 2 pole 1 button 21 2 pole 2 button 3 3 pole 1 button 31 3 pole 3 button		01 ON-OFF 02 ON-ON 03 ON-OFF-ON 11 (ON)-OFF(单复位) 12 (ON)-ON(单复位) 13 (ON)-OFF-(ON)(双复位) 23 (ON)-OFF-(ON)(双复位)	No Mark No lamp N Lens illuminated EN Dot illuminated	No Mark C shape W Waterproof H High Actuator V V shape	No Mark Straight D Short L Right Angle S Screw T Through hole	C1 C2 C3 C4 C5 C6 C7 C8 C9 C10		B 黑色Black W 白色White R 红色Red G 绿色Green Y 黄色Yellow BL 蓝色Blue O 橙色Orange GR 灰色Gray C 棕色Brown	B 黑色Black W 白色White R 红色Red G 绿色Green Y 黄色Yellow BL 蓝色Blue O 橙色Orange GR 灰色Gray C 棕色Brown	3V 6V 12V 24V 48V 110V 220V			



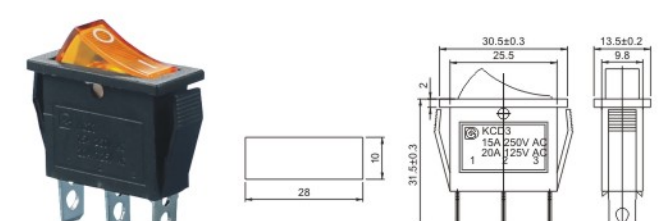
KCD3-101 ON-OFF  
KCD3-111 OFF-(ON)



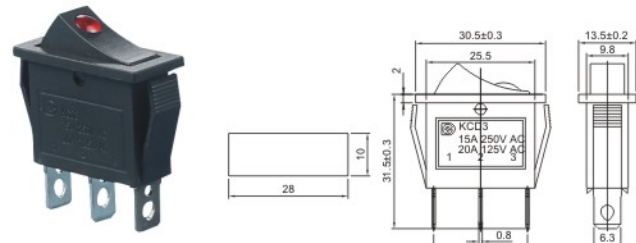
KCD3-103 ON-OFF-ON



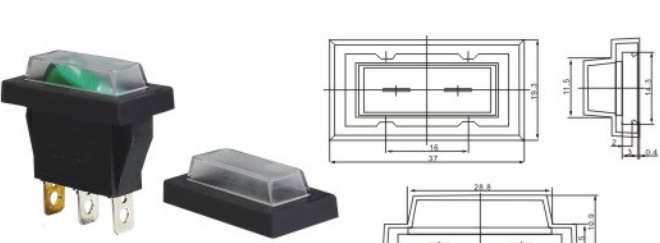
KCD3-102 ON-ON  
KCD3-112 ON-(ON)



KCD3-101N ON-OFF




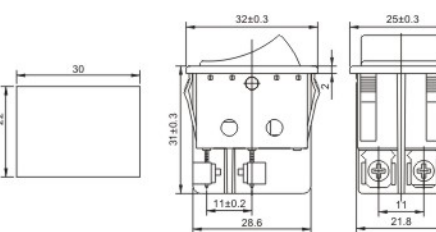

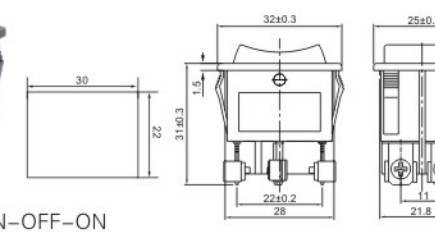

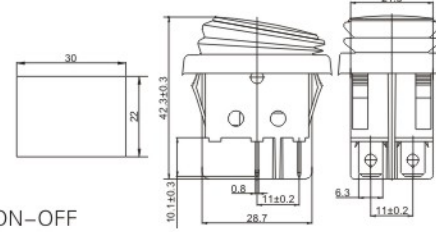

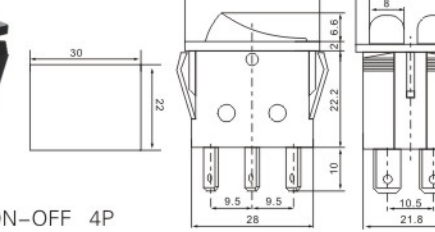

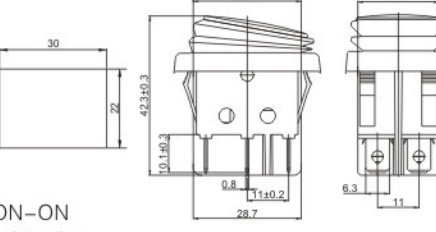

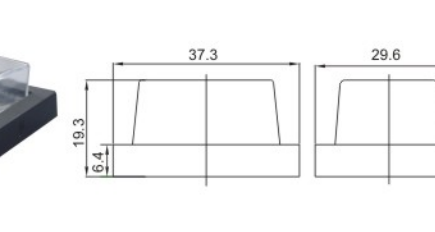

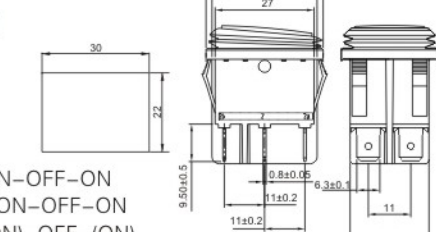

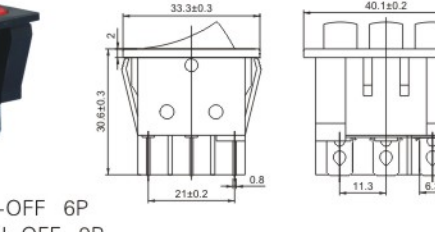

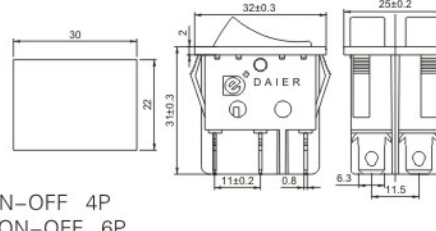

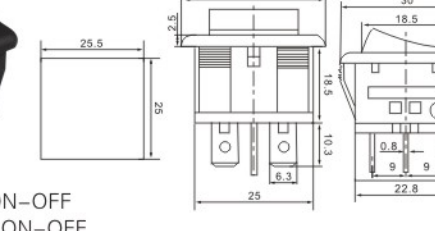

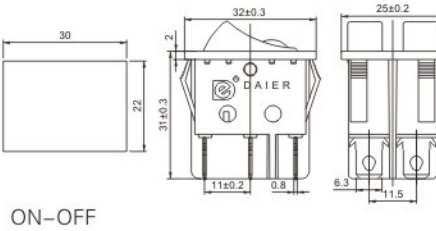

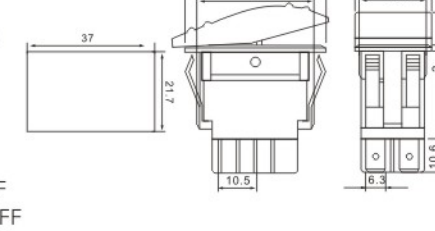
KCD3-101EN ON-OFF



WPC-03



  <p>KCD2-2101EN ON-OFF</p>	  <p>KCD2-202-B ON-OFF KCD2-203-B ON-OFF-ON KCD2-203N-B ON-OFF-ON</p>
  <p>WPC-04</p>	  <p>KCD2-201W-B ON-OFF KCD2-201NW-B ON-OFF</p>
  <p>KCD2-201W ON-OFF KCD2-201NW ON-OFF</p>	  <p>KCD2-203W-B ON-OFF KCD2-203NW-B ON-OFF-ON</p>
  <p>KCD2-202W ON-OFF KCD2-202NW ON-OFF</p>	  <p>KCD2-2-201 ON-OFF KCD2-2-211 OFF-(ON)</p>
  <p>KCD2-203W ON-OFF-ON KCD2-203NW ON-OFF-ON</p>	  <p>KCD2-2-201N ON-OFF KCD2-2-211N OFF-(ON)</p>
  <p>KCD2-201-B ON-OFF KCD2-201N-B ON-OFF</p>	  <p>KCD2-2-202 ON-OFF KCD2-2-203 ON-OFF-ON KCD2-2-202N ON-OFF KCD2-2-223 (ON)-OFF-(ON)</p>

  <p>KCD2-2-201NS ON-OFF</p>	  <p>KCD2-4-203S ON-OFF-ON KCD2-4-223S (ON)-OFF-(ON)</p>
  <p>KCD2-2-201W ON-OFF KCD2-2-201NW ON-OFF</p>	  <p>KCD2-5-2101 ON-OFF 4P KCD2-5-2101N ON-OFF 6P</p>
  <p>KCD2-2-202W ON-OFF KCD2-2-202NW ON-OFF</p>	  <p>WPC-04B</p>
  <p>KCD2-2-203W ON-OFF-ON KCD2-2-203NW ON-OFF-ON KCD2-2-223W (ON)-OFF-(ON)</p>	  <p>KCD2-3101 ON-OFF 6P KCD2-3101N ON-OFF 9P</p>
  <p>KCD2-4-2101 ON-OFF 4P KCD2-4-2101N ON-OFF 6P</p>	  <p>KCD2-10-201 ON-OFF KCD2-10-201N ON-OFF</p>
  <p>KCD2-4-2101EN ON-OFF</p>	  <p>RK1-06 ON-OFF RK1-06N ON-OFF</p>