

# Wind Speed Sensor

Product number:FST200-1000

FST200-1000 wind speed sensor is a high-reliability and high-performance wind speed measurement sensor. The product outputs an electrical signal that has a linear relationship with the ambient wind speed. It is suitable for high-altitude operations, construction machinery, port machinery and other occasions. The main structural parts are made of aluminum alloy materials and surface treated. The product has good waterproof and corrosion resistance, and the internal and rotating parts are sealed, which can effectively prevent the immersion of water, salt spray, sand and dust.

## ◆ Features

- ✓ Adopt non-contact magnetic sensing measurement principle, high measurement accuracy and reliability
- ✓ The overall use of aluminum alloy material, polyester coating, strong wind resistance and corrosion resistance
- ✓ Wide wind speed measurement range, low start wind speed
- ✓ Compact design and easy installation
- ✓ Sensor circuit protection with fault-tolerant design



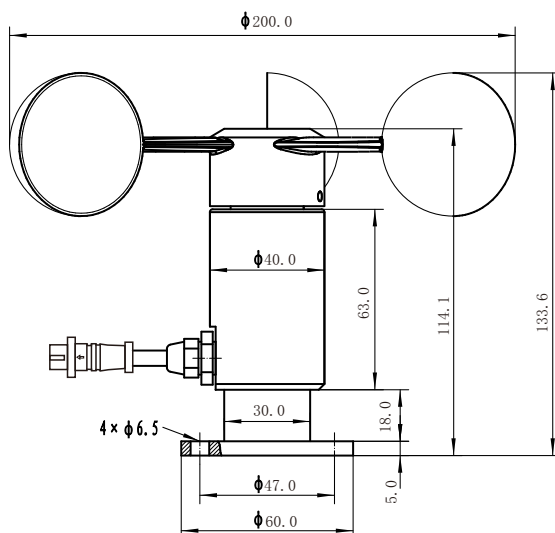
## ◆ Scope of application

- ◇ Monitoring and control of working at heights
- ◇ Monitoring and control of weather stations and environmental protection
- ◇ Wind speed monitoring of wind turbines, large mechanical equipment, etc.
- ◇ Monitoring and control of other industrial processes related to wind speed safety

## ◆ Technical parameter

Operating Voltage	12~30VDC	Measuring range	0.5~50m/S
Output signal	Standard 4~20mA Optional 0~5V,RS485	Start wind speed	≤0.5m/S
Precision	±0.5m/S(<5m/S); ±3 %FS(≥5m/S)	Material	Aluminum alloy
Operating temperature	-20~+85°C Humidity: 0%~95% (non-condensing)	Protection class	IP65
Electrical connections	Direct outlet, standard cable length 3m		

## ◆ Product dimensions and electrical connection



Straight out	Wire system	Output signal	Sequence	Wiring Rules	
	3-Wire	Current type	1	Red	+Vcc
			2	Black	GND
			3	White	+Iout
			4	Yellow	PE
	3-Wire	digital	1	Red	+Vcc
			2	Black	GND
			3	Green	RS485A
			4	White	RS485B