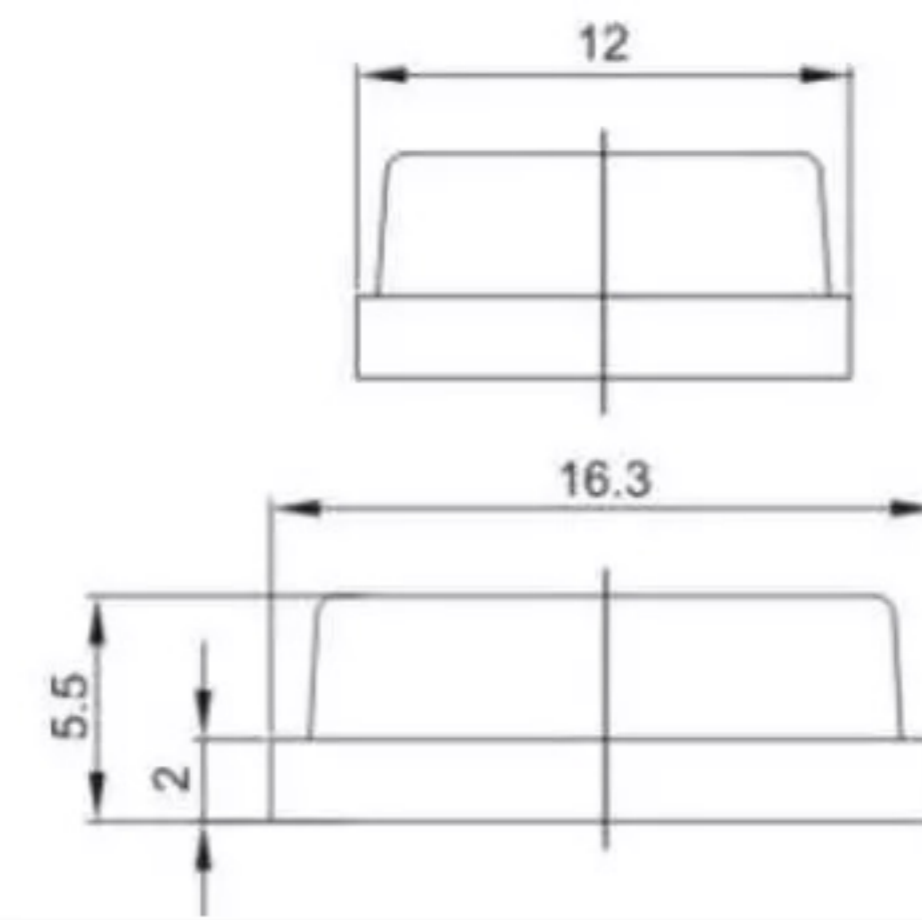
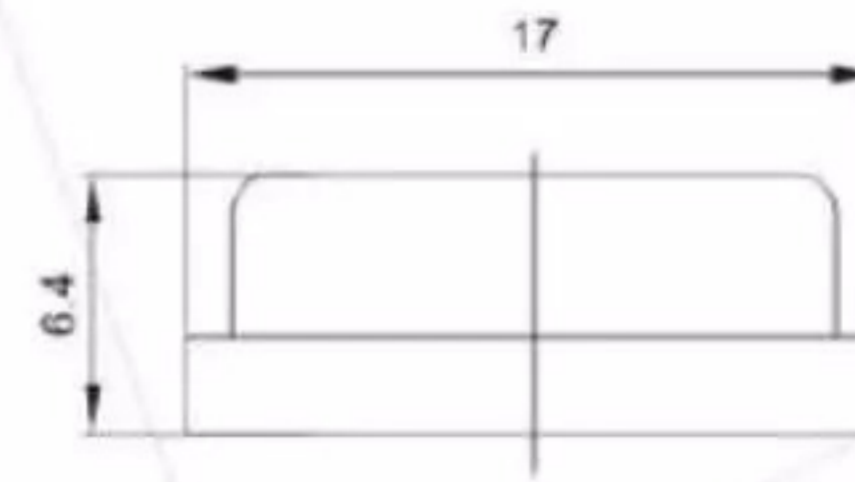


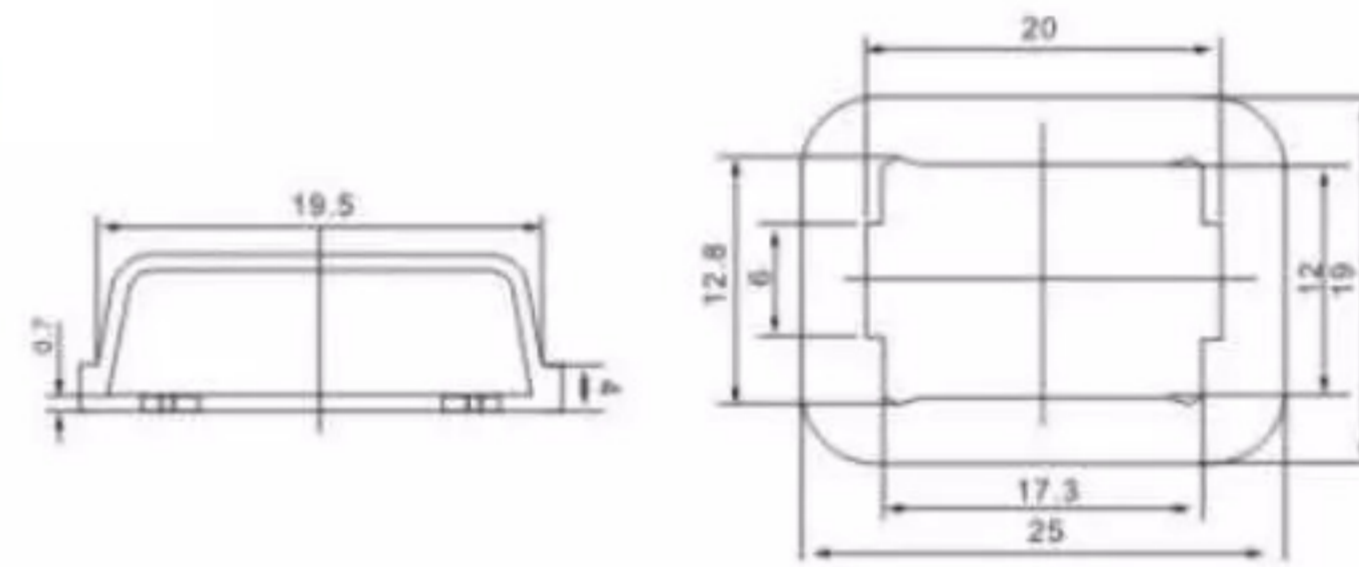
WPC-1510



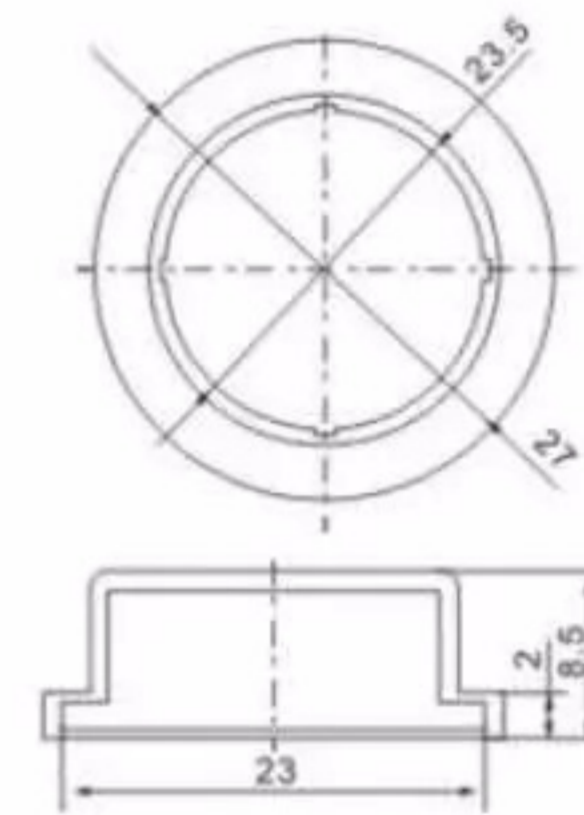
WPC-16



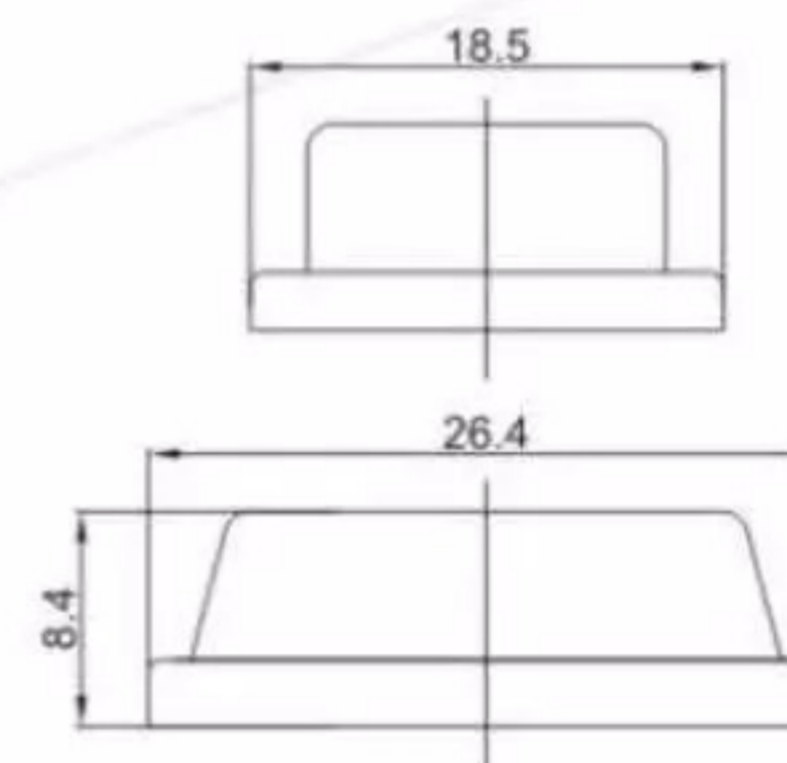
WPC-01



WPC-02



WPC-13



WPC-14

