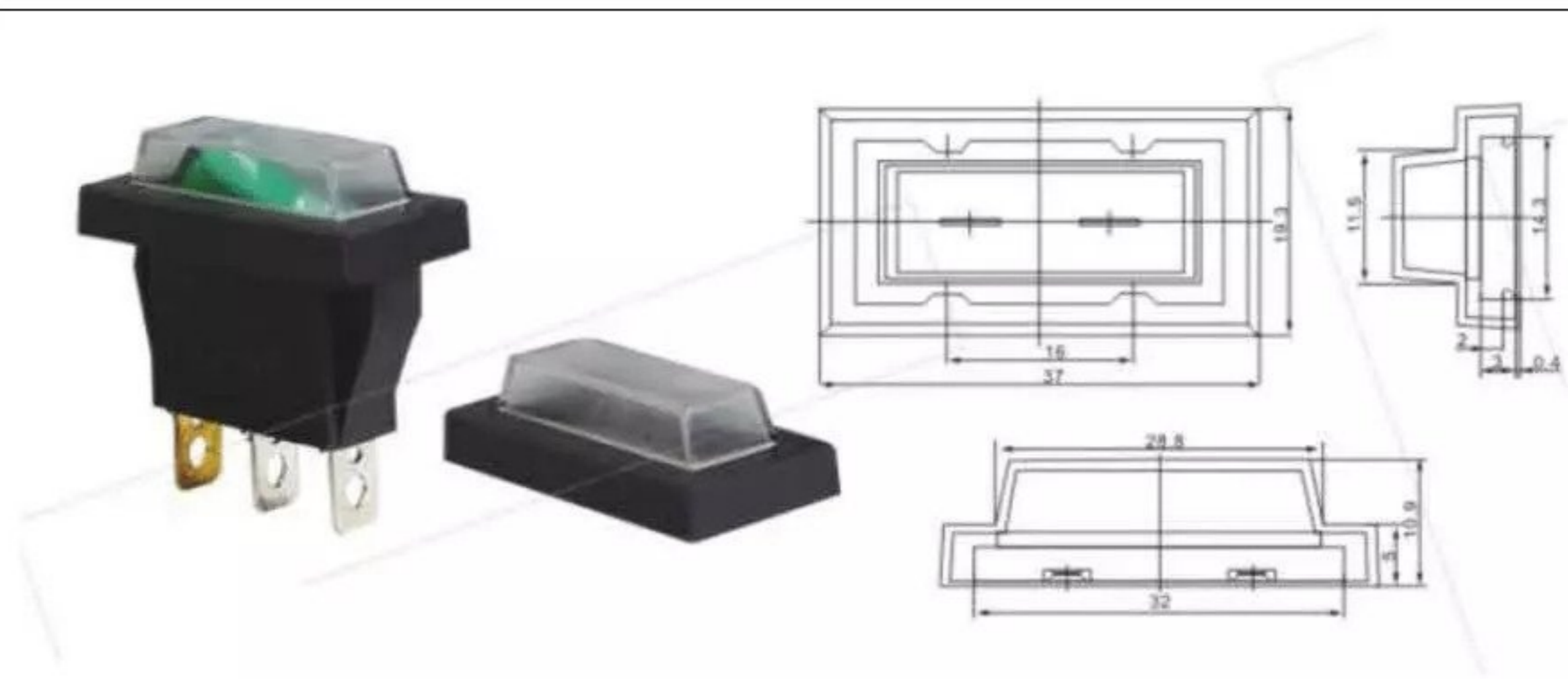
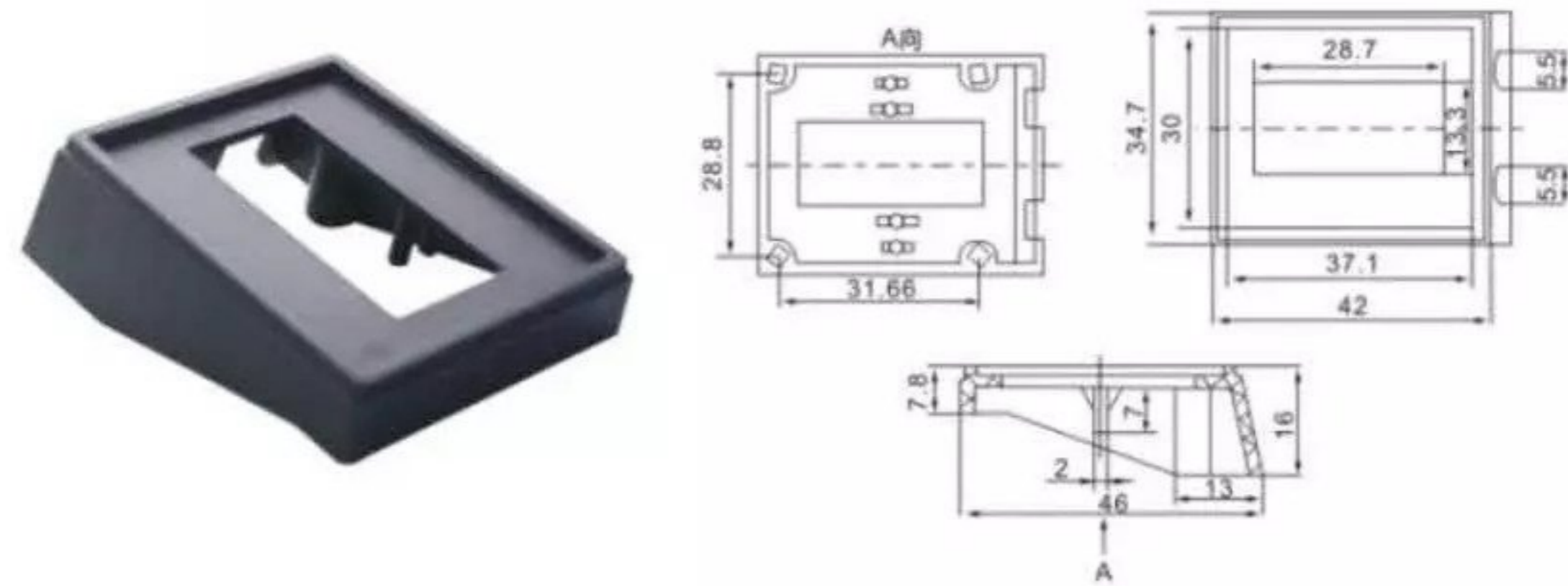


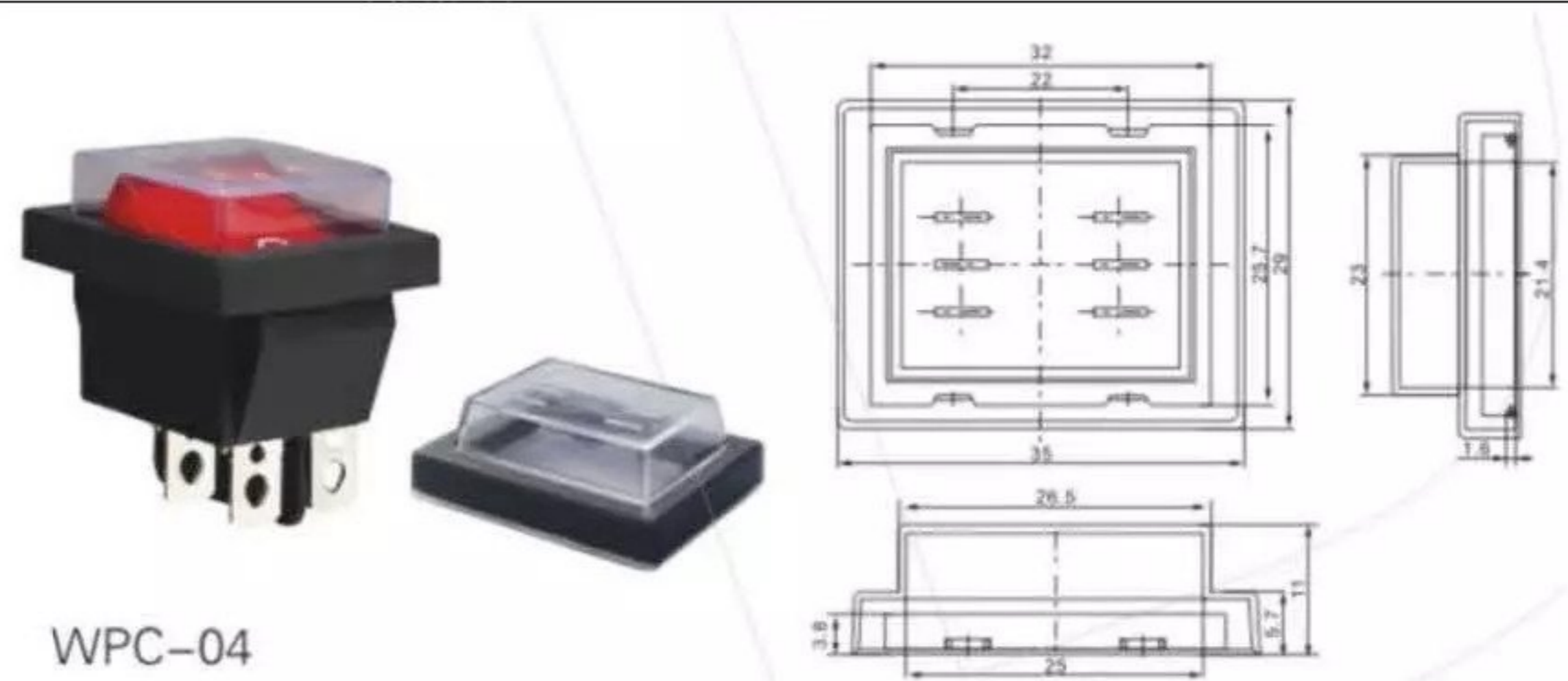
WPC-03



SSC-03



WPC-04



WPC-04

WPC-04B

