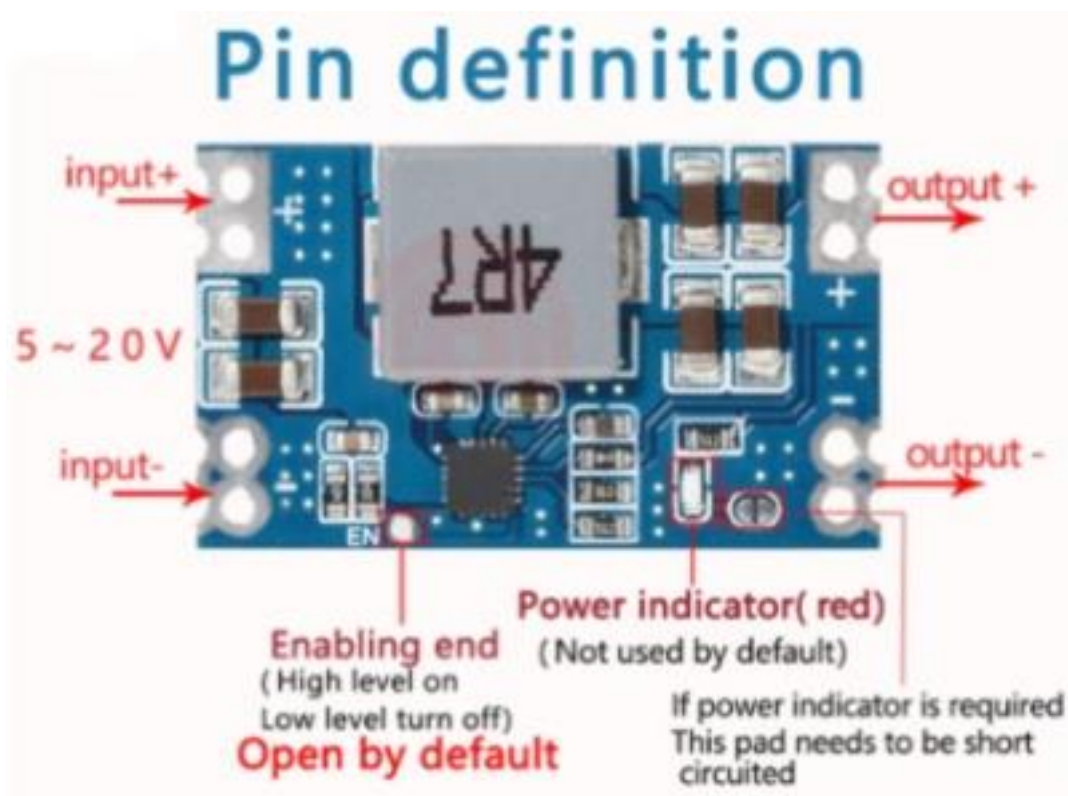


# MINI560 DC-DC Step-Down Stabilized Voltage Source Module

DE077-DE080



## Product Parameters

Model Name	Mini560			
Version	3.3V version	5V version	9V version	12V version
Output Voltage	3.3V	5V	9V	12V
Input Voltage	5.5V-32V	7V-32V	11V-32V	14-32V
Output Current	<5A	<5A	<4A	<4A
	Long run super 4A need to add heat sink		Long run super 3A need to add heat sink	
Differential voltage	>1.7V	>2V	>2V	>2V
Switching frequency	500KHz			

Conversion efficiency	95% (limit high)
Operating Temperature	-40 to +85
External Dimension	29*18*5.4(L*W*H)(mm)
Module nature	Non-Isolated Buck
Rectification Method	Synchronous Rectification

### dimension drawing

