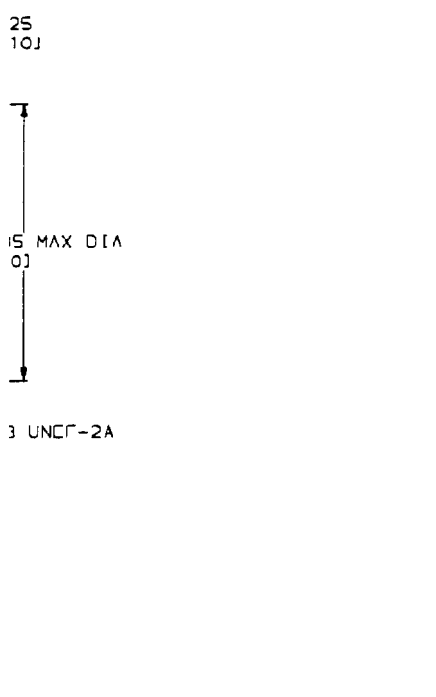
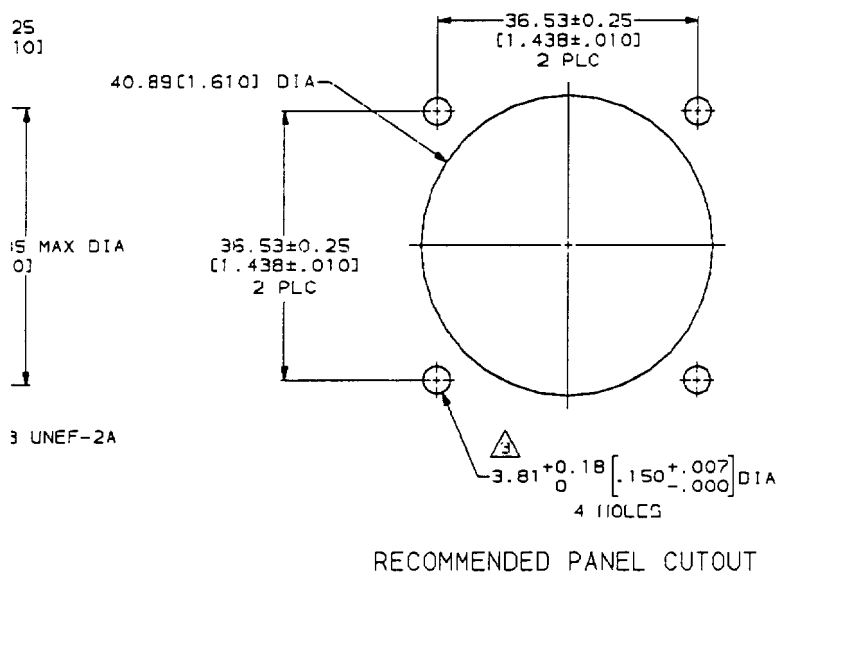


REV	DATE	BY	DESCRIPTION	DATE	APPD
4	RD	35			
H			REDRAWN ON CAD & ADDCD -S NPR 4832		
J			REACTIVATE -4 PER EC 0020-1075-94	12/18/94	AF



SMALL PACK	NO	A	206838-5
STANDARD	YES	B	206838-1
STANDARD	YES	A	206838-3
STANDARD	NO	B	206838-2
STANDARD	NO	A	206838-1
PACKAGING	PERIPHERAL SEAL	SEE DETAIL	PART NO

DO NOT SCALE PRINT. UNLESS SPECIFIED DIMENSIONS IN MM (INCHES) TOLERANCES ON: 2 PLC DEC ± 0.13 (.005) 3 PLC DEC ± - ANGLES ± - MATERIAL HOUSING: NYLON, BLACK SEAL: ELASTOMER, GREY FINISH -	DR 10/28/92 D.GELTZ CHK 08/11/93 H.SIONE APPD 08/13/93 A.FRANTUM APPD 08/13/93 A.FRANTUM PRODUCT SPEC 108-10024 APPLICATION SPEC - WEIGHT -	AMP AMP Incorporated Harrisburg, PA 17105-3608 NAME RECEPTACLE HOUSING, STANDARD SEX, SHELL SIZE 23, CPC SIZE D CAGE CODE 00779 DRAWING NO C=206838 SCALE 2:1 SHEET 1 OF 1
--	---	--

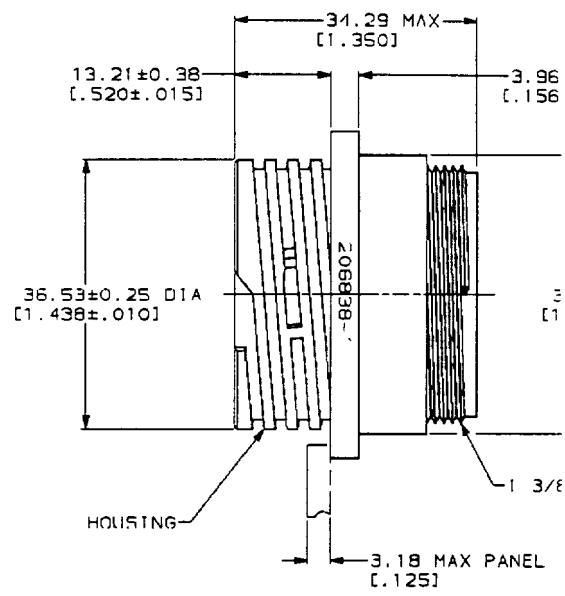
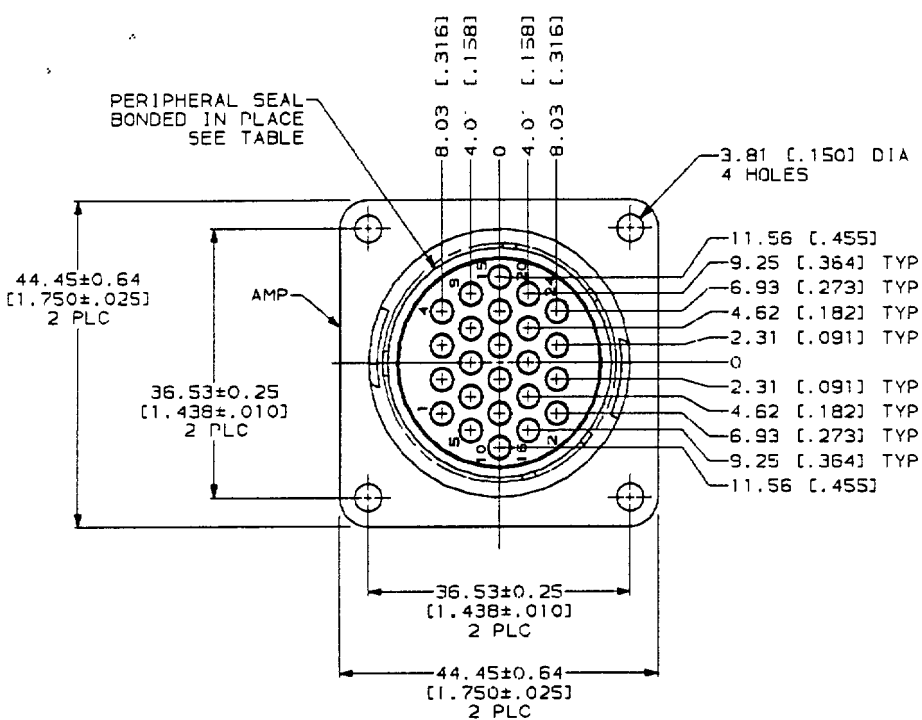
THIS DRAWING IS A CONTROLLED DOCUMENT FOR AMP INCORPORATED. IT IS SUBJECT TO CHANGE AND THE CUSTOMER SHOULD BE CONTACTED FOR THE LATEST REVISION.

CUSTOMER DRAWING

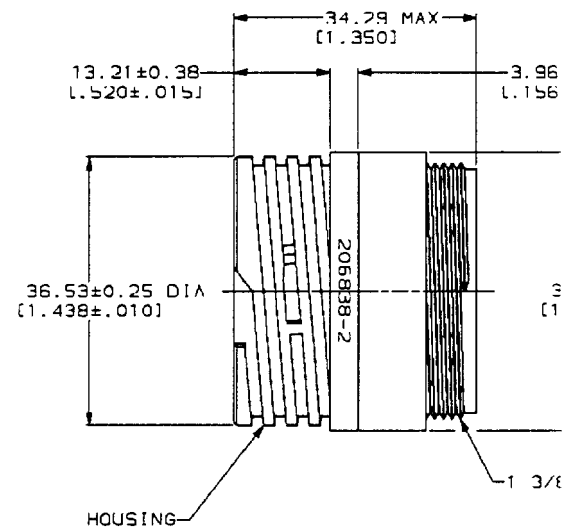
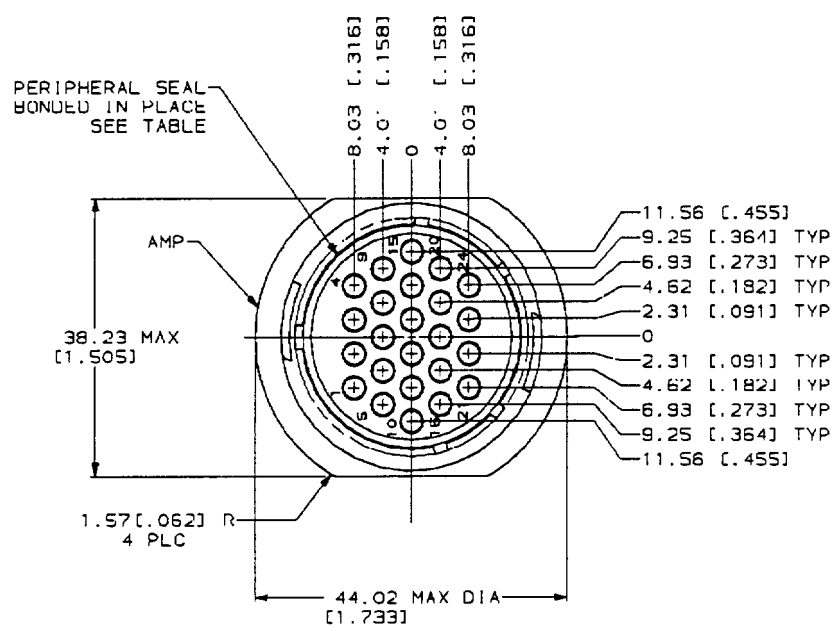
589 664 - 592-833

8 7 6 5

THIS DRAWING IS UNPUBLISHED. RELEASED FOR PUBLICATION .19
© COPYRIGHT 19 BY AMP INCORPORATED. ALL INTERNATIONAL RIGHTS RESERVED.



DETAIL A



DETAIL B

1. CAVITY IDENTIFICATION ON FRONT AND REAR FACE.
2. WILL ACCEPT (21) MULTIMATE PIN CONTACTS.
3. NO 4 FASTENER RECOMMENDED FOR MOUNTING.
4. MAXIMUM INSULATION NOT TO EXCEED .150 DIA.