

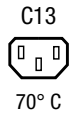
IEC Connector C13, Rewireable, Angled



4785 Rewireable connector



4785 Example with assembled cable



**Description**

- Cord Connectors (rewireable):  
Screw-on mounting
- 1 Function
- Connector, Pin temperature 70 °C, Protection class I
- Cable

**Approvals**

- VDE Certificate Number: 40031778
- UL File Number: E96454
- CSA File Number: 56242
- CCC File Number: 2013010204660946

**References**

Substitute for type [P587.SE](#); [4013](#); [4021](#)

**Weblinks**

[pdf-datasheet](#), [html-datasheet](#), [General Product Information](#), [Approvals](#), [CE declaration of conformity](#), [RoHS](#), [CHINA-RoHS](#), [REACH](#), [Mating Connectors](#), [e-Shop](#), [SCHURTER-Stock-Check](#), [Distributor-Stock-Check](#), [CAD-Drawings](#), [Accessories](#), [Detailed request for product](#)

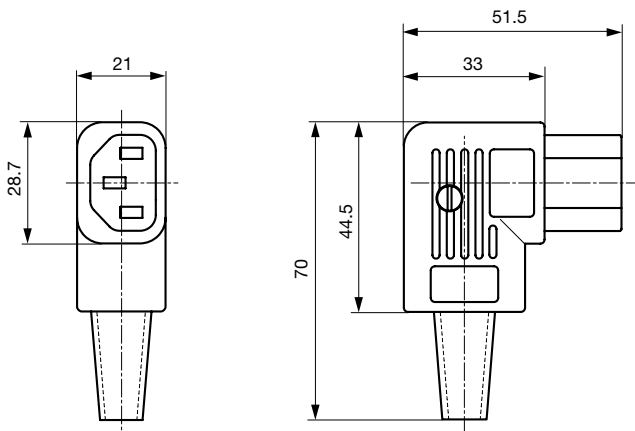
**Technical Data**

|                           |   |
|---------------------------|---|
| Ratings IEC               | 10 A / 250 VAC; 50 Hz   |
| Ratings UL/CSA            | 15 A / 250 VAC; 60 Hz   |
| Dielectric Strength       | > 2 kVAC between L-N<br>> 2 kVAC between L/N-PE<br>(1 min/50 Hz)  |
| Allowable Operation Temp. | -25 °C to 70 °C   |
| Protection Class          | Suitable for appliances with protection class I acc. to IEC 61140 |
| Terminal                  | Cable   |
| Material: Housing         | Thermoplastic, black, UL 94V-0                                    |

|           |   |
|-----------|---|
| Connector | C13 acc. to IEC/EN 60320-1,<br>UL 498, CSA C22.2 no. 42 (for cold conditions) pin-temperature 70 °C, 10 A, Protection Class I |
|-----------|---|

**Dimensions**

4785



## All Variants

| Color | Max. cable diameter | Max. wire size                       | Order Number |
|-------|---------------------|--------------------------------------|--------------|
| black | 8.5 mm              | 3 x 1 mm <sup>2</sup> / 3 x 18 AWG   | 4785.0000    |
| black | 10 mm               | 3 x 1.5 mm <sup>2</sup> / 3 x 14 AWG | 4785.0100    |

Max. torque for screws: Terminals: 0.5 Nm, Cable clamps: 0.3 Nm, Cover: 0.3 Nm

**Packaging unit** 100 Pcs

## Mating Inlets/Plugs

## Category / Description

[Appliance Inlet Overview complete](#)

|  |        |
|--|--------|
| 6100-3, Mounting: Screw, Solder terminals or quick connect terminals, Appliance Inlet: IEC C14   | 6100-3 |
| 6100-4, Mounting: Snap-in, Solder terminals or quick connect terminals, Appliance Inlet: IEC C14 | 6100-4 |
| IEC Appliance Inlet C18, Screw-on Mounting, Front or Rear Side, Solder or Quick-connect Terminal | 6102-3 |
| IEC Appliance Inlet C18, Snap-in Mounting, Front Side, Solder or Quick-connect Terminal          | 6102-5 |
| G-Stecker, Mounting: Appliance Inlet : IEC C14 Without fuse holder                               | 6150   |

[Appliance Inlet further types to 4785](#)

[Distribution Unit Overview complete](#)

|   |      |
|---|------|
| Distribution Unit for Snap-in Mounting with 1 IEC Appliance Inlet C14 and 1 Appliance Outlet F                      | 0712 |
| Distribution Unit with 1 IEC Appliance Inlet C14 and 2 Appliance Outlets F, Shuttered                               | 4741 |
| Distribution Unit with 1 IEC Appliance Inlet C14 and 4 Appliance Outlets F  | 4747 |
| Distribution Unit with 1 IEC Appliance Inlet C14 or Power Cord, 5 or 6 IEC Appliance Outlets F and Extra Components | 4740 |
| EMC Power Strip with Line Filter  | FLBB |

[Distribution Unit further types to 4785](#)

[Plug Overview complete](#)

|   |      |
|---|------|
| IEC Plug E, Cord Connector (Rewireable), Straight, max. cable Diameter 8.5 mm | 4732 |
| IEC Plug E, Cord Connector (Rewireable), Straight, max. Cable Diameter 10 mm  | 4735 |
| IEC Plug E, Cord Connector (Rewireable), Straight                             | 9009 |
| IEC Plug E, Cord Connector (Rewireable), Angled, max. Cable Diameter 8.5 mm   | 4733 |
| IEC Plug E, Cord Connector (Rewireable), Angled, max. Cable Diameter 10 mm    | 4736 |

[Plug further types to 4785](#)

[Power Entry Module Overview complete](#)

|  |      |
|--|------|
| DC11, Mounting: Screw, Rocker switch: non-illuminated or illuminated 1 or 2 pole, Quick connect terminals 4.8 x 0.8 mm, Appliance Inlet: IEC C14, Without fuse holder: Suitable for appliances with protection class I or II   | DC11 |
| KEB1, Mounting: Screw, Quick connect terminals 4.8 x 0.8 mm, Without fuse holder: Rocker switch, non-illuminated or illuminated, red, 1-pole, Appliance Inlet: IEC C14, 250 VAC, prewired, Suitable for appliances with protection class I                           | KEB1 |
| KEB2, Mounting: Screw, Quick connect terminals 4.8 x 0.8 mm, Without fuse holder: Rocker switch, non-illuminated or illuminated, 2-pole, Appliance Inlet: IEC C14, 250 VAC, prewired, Suitable for appliances with protection class I                                | KEB2 |
| DC21, Mounting: Screw Rear Side, Rocker switch: non-illuminated or illuminated 2-pole, Quick connect terminals 4.8 x 0.8 mm Appliance Inlet: IEC C14, Without fuse holder:   | DC21 |
| DD11, Mounting: Screw-on mounting, Rocker switch: non-illuminated or illuminated 2-pole, Quick connect terminals 4.8 x 0.8 mm, Appliance Inlet: IEC C14, With or without protection cover, Fuse holder: 1 or 2 pole, Suitable for appliances with protection class I | DD11 |

[Power Entry Module further types to 4785](#)

Category / Description

[Power Entry Module with line filter Overview complete](#)



|  |      |
|--|------|
| KFB1, Mounting: Screw, Front Side, Filter: Standard Version, Without fuse holder: 10 A, Rocker switch: 1-pole, Appliance Inlet: IEC C14, prewired  | KFB1 |
| KFB2, Mounting: Screw, Front Side, Filter: Standard and Medical Version, Without fuse holder: 10 A, Rocker switch: 2-pole, Appliance Inlet: IEC C14, prewired  | KFB2 |
| DC12, Mounting: Screw, Front-/Rear-Side, Filter, Standard and Medical Version, Without fuse holder: 10 A, Rocker switch: 1 or 2 pole, non-illuminated or illuminated Appliance Inlet: IEC C14, prewired                                      | DC12 |
| DC22 Mounting: Screw, Rear Side, PCB, 10 A, Filter: Standard and Medical Version, Without fuse holder: Rocker switch: 1 or 2 pole, non-illuminated or illuminated, Appliance Inlet: IEC C14, Suitable for appliances with protection class I | DC22 |
| DD12, Mounting: Screw-on mounting, Front Side, Filter, Standard and Medical Version, Fuse holder: 1 or 2 pole, 10 A, Rocker switch: 2-pole, non-illuminated Appliance Inlet: IEC C14, prewired   | DD12 |
| <a href="#">Power Entry Module with line filter further types to 4785</a>  | ...  |