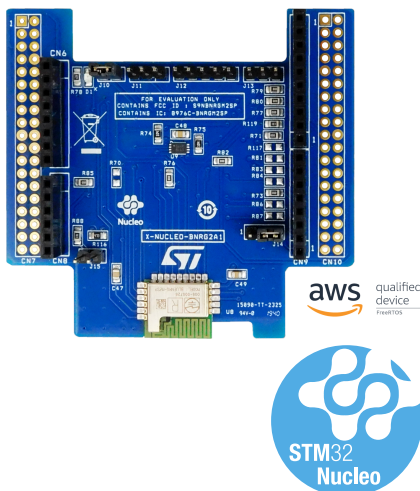


Bluetooth Low Energy expansion board based on the BlueNRG-M2SP module for STM32 Nucleo



Features

- Based on the [BlueNRG-M2SP](#) module FCC certified module (FCC ID: S9NBNRGM2SP and IC: B976C-BNRGM2SP)
- Compatible with [STM32 Nucleo](#) boards
- Equipped with Arduino UNO R3 connector
- [Amazon AWS](#) qualified
- Scalable solution, capable of cascading multiple boards for larger systems
- Free comprehensive development firmware library and examples for [BlueNRG-2](#) compatible with [STM32Cube](#)
- [BlueNRG-M2SP](#):
 - Bluetooth v5.2 compliant
 - Supports master and slave modes
 - BLE data packet length extension
 - Embedded [BALF-NRG-02D3](#) integrated matched balun with harmonic filter
- Interfaces:
 - 1 UART, 1 I²C, 1 SPI, 14 GPIOs, 2 multifunction timers, 10-bit ADC, Watchdog & RTC, DMA controller, PDM stream processor, SWD debug interface
- Small form factor: 11.5mmx13.5mm
- Complemented with Bluetooth low energy protocol stack library (GAP, GATT, SM, L2CAP, LL)
- AES security co-processor
- Bluetooth low energy SDK with a wide range of profiles
- Embedded [BlueNRG-2](#) BLE SoC:
 - High performance, ultra-low power Cortex-M0 32-bit based core
 - Programmable embedded 256 KB Flash
 - 24 KB embedded RAM with data retention
 - Up to +8 dBm available output power
 - Down to -88 dBm Rx sensitivity
 - Up to 96 dB link budget with excellent link reliability

Product summary	
Bluetooth® low energy expansion board based on the BlueNRG-M2SP module for STM32 Nucleo	X-NUCLEO-BNRG2A1
Very low power application processor module for Bluetooth® low energy v5.2	BlueNRG-M2SP
Bluetooth® low energy wireless system-on-chip	BlueNRG-2
50 Ω conjugate match balun to BlueNRG transceiver	BALF-NRG-02D3
Applications	Industrial Sensors/ Smart Home/ Bluetooth Low Energy/Gaming and Drones/Virtual-Augmented reality/ Wearable

Description

The [X-NUCLEO-BNRG2A1](#) expansion board provides Bluetooth low energy connectivity for developer applications and can be plugged onto an [STM32 Nucleo](#) development board (e.g., [NUCLEO-L476RG](#) with ultra-low power STM32 microcontroller) through its Arduino UNO R3 connectors.

The expansion board features the Bluetooth® v5.2 compliant and FCC certified [BlueNRG-M2SP](#) application processor module based on the ST [BlueNRG-2](#) System-on-Chip. This SoC manages the complete Bluetooth low energy stack and protocols on its Cortex-M0 core and programmable Flash, which can accommodate custom applications developed using the SDK. The [BlueNRG-M2SP](#) module supports master and slave modes, increased transfer rates with data length extension (DLE), and AES-128 security encryption.

The [X-NUCLEO-BNRG2A1](#) interfaces with the [STM32 Nucleo](#) microcontroller via SPI connections and GPIO pins, some of which can be configured by the hardware.

1 Formal notices required by the U.S. Federal Communications Commission ("FCC")

Any changes or modifications to this equipment not expressly approved by STMicroelectronics may cause harmful interference and void the user's authority to operate this equipment.

This device complies with Part 15 of the FCC Rules. Operation is subject to the following two conditions: (1) this device may not cause harmful interference, and (2) this device must accept any interference received, including any interference that may cause undesired operation.

This device uses, generates and radiated radio frequency energy. The radio frequency energy produced by this device is well below the maximum exposure allows by Federal Communications Commission (FCC).

The X-NUCLEO-BNRG2A1 contains FCC certified module [BlueNRG-M2SP](#) (FCC ID: S9NBNRGM2SP).

2 Formal notices required by the Industry Canada ("IC")

English:

This device complies with Industry Canada licence-exempt RSS standard(s). Operation is subject to the following two conditions: (1) this device may not cause interference, and (2) this device must accept any interference, including interference that may cause undesired operation of the device.

French:

Le présent appareil est conforme aux CNR d'Industrie Canada applicables aux appareils radio exempts de licence. L'exploitation est autorisée aux deux conditions suivantes: (1) l'appareil ne doit pas produire de brouillage, et (2) l'utilisateur de l'appareil doit accepter tout brouillage radioélectrique subi, même si le brouillage est susceptible d'en compromettre le fonctionnement.

The [X-NUCLEO-BNRG2A1](#) contains FCC certified module [BlueNRG-M2SP](#) (FCC ID: S9NBNRGM2SP).

3 Schematic diagrams

Figure 1. X-NUCLEO-BNRG2A1 schematic diagram - BlueNRG-M2SP

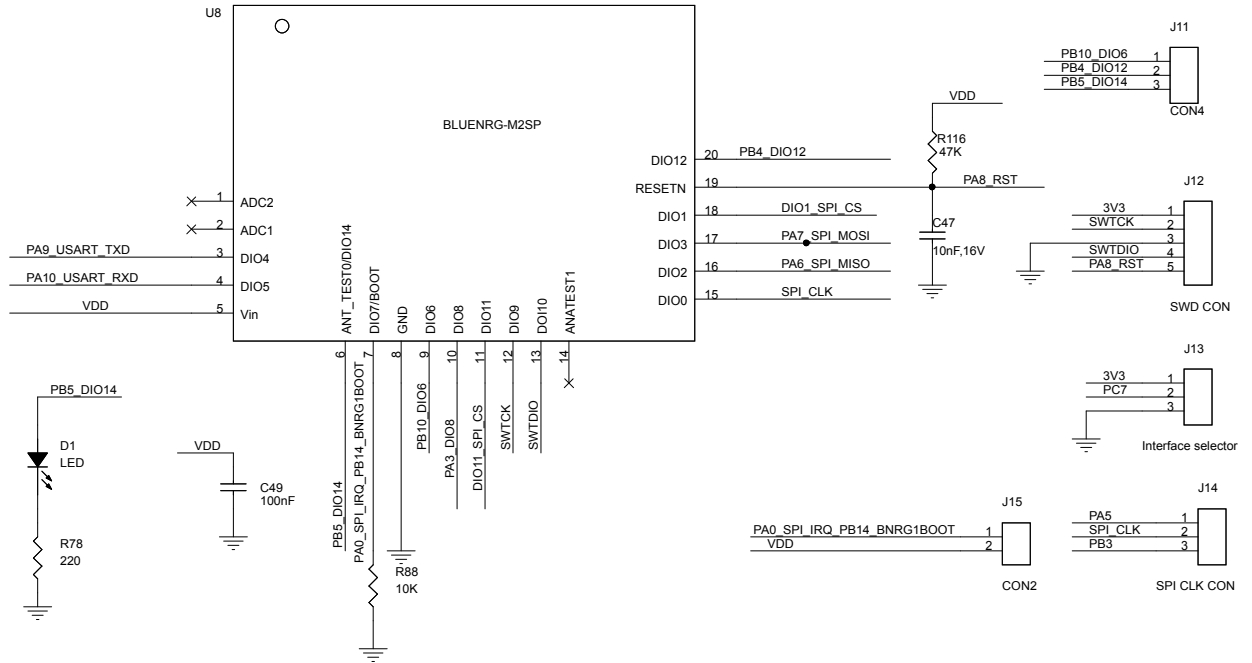
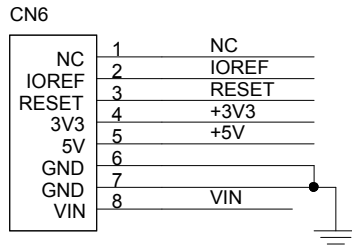
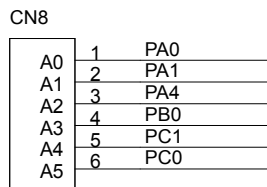


Figure 2. X-NUCLEO-BNRG2A1 schematic diagram - Arduino connectors

Arduino UNO R3 SX Connector

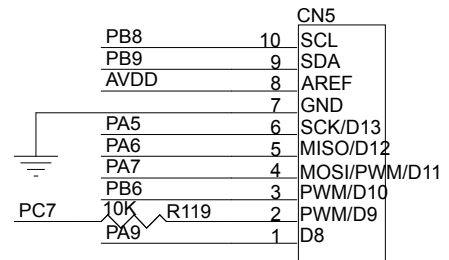


8 Pass-Through:
Male on Bottom
and Female on
Top

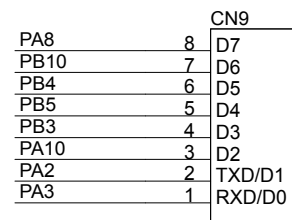


6 Pass-Through:
Male on Bottom
and Female on
Top

Arduino UNO R3 DX Connector



Pass-Through:
Male on Bottom
and Female on
Top



Pass-Through:
Male on Bottom
and Female on
Top

Figure 3. X-NUCLEO-BNRG2A1 schematic diagram - morpho connectors

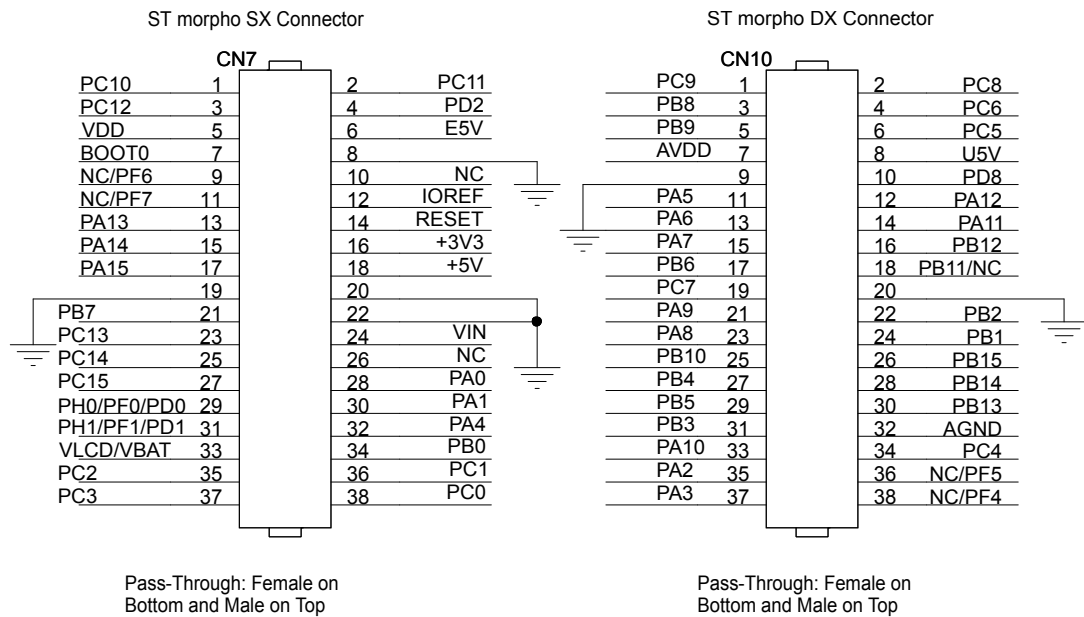


Figure 4. X-NUCLEO-BNRG2A1 schematic diagram - M95640-RMC6TG

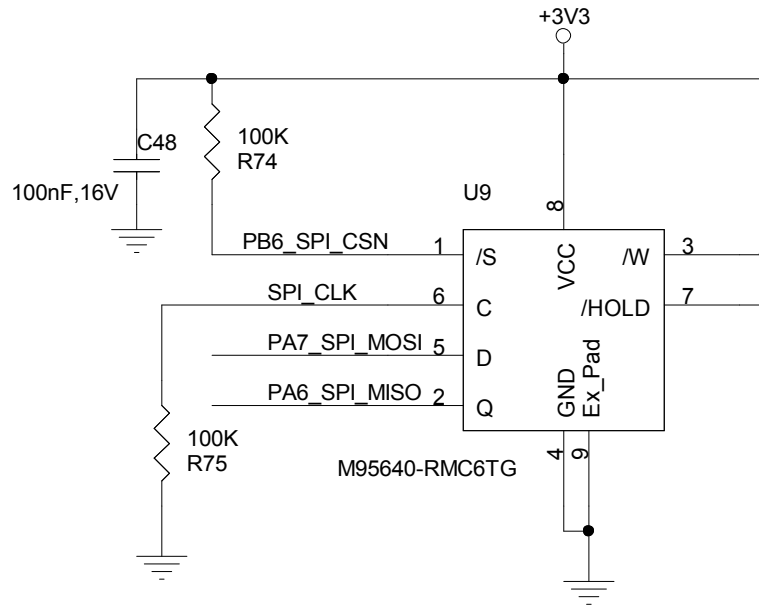
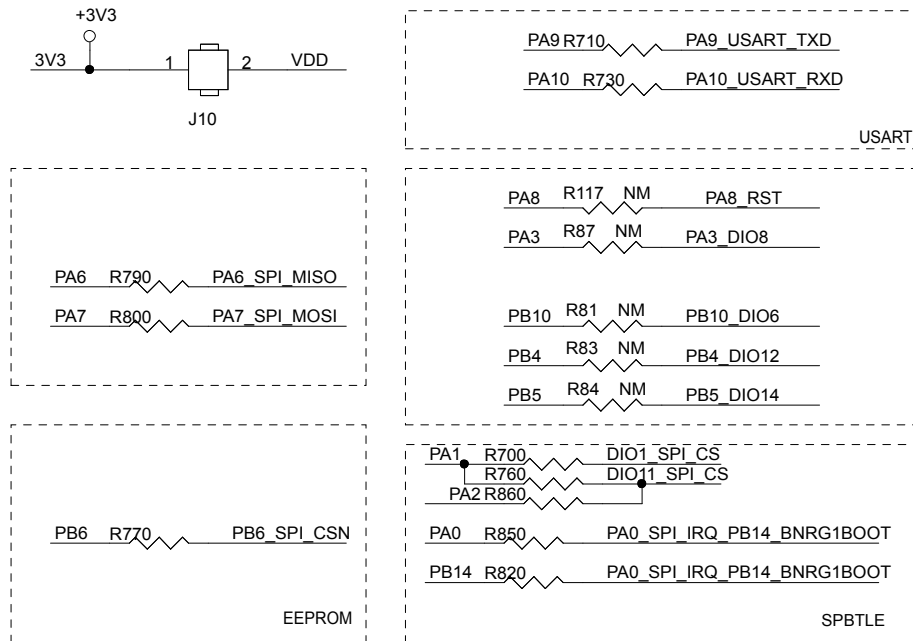


Figure 5. X-NUCLEO-BNRG2A1 schematic diagram - resistor mapping



Revision history

Table 1. Document revision history

Date	Version	Changes
26-Nov-2019	1	Initial release.
05-May-2021	2	Updated cover page image and features to reflect Amazon AWS qualification.

IMPORTANT NOTICE – PLEASE READ CAREFULLY

STMicroelectronics NV and its subsidiaries (“ST”) reserve the right to make changes, corrections, enhancements, modifications, and improvements to ST products and/or to this document at any time without notice. Purchasers should obtain the latest relevant information on ST products before placing orders. ST products are sold pursuant to ST’s terms and conditions of sale in place at the time of order acknowledgement.

Purchasers are solely responsible for the choice, selection, and use of ST products and ST assumes no liability for application assistance or the design of Purchasers’ products.

No license, express or implied, to any intellectual property right is granted by ST herein.

Resale of ST products with provisions different from the information set forth herein shall void any warranty granted by ST for such product.

ST and the ST logo are trademarks of ST. For additional information about ST trademarks, please refer to www.st.com/trademarks. All other product or service names are the property of their respective owners.

Information in this document supersedes and replaces information previously supplied in any prior versions of this document.

© 2021 STMicroelectronics – All rights reserved