

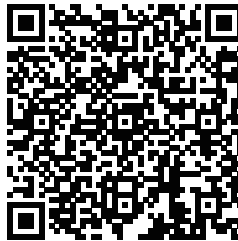
**seed studio**

# **reServer J2032**








Real-world AI, Right at the Edge.

**Assembly Guide**

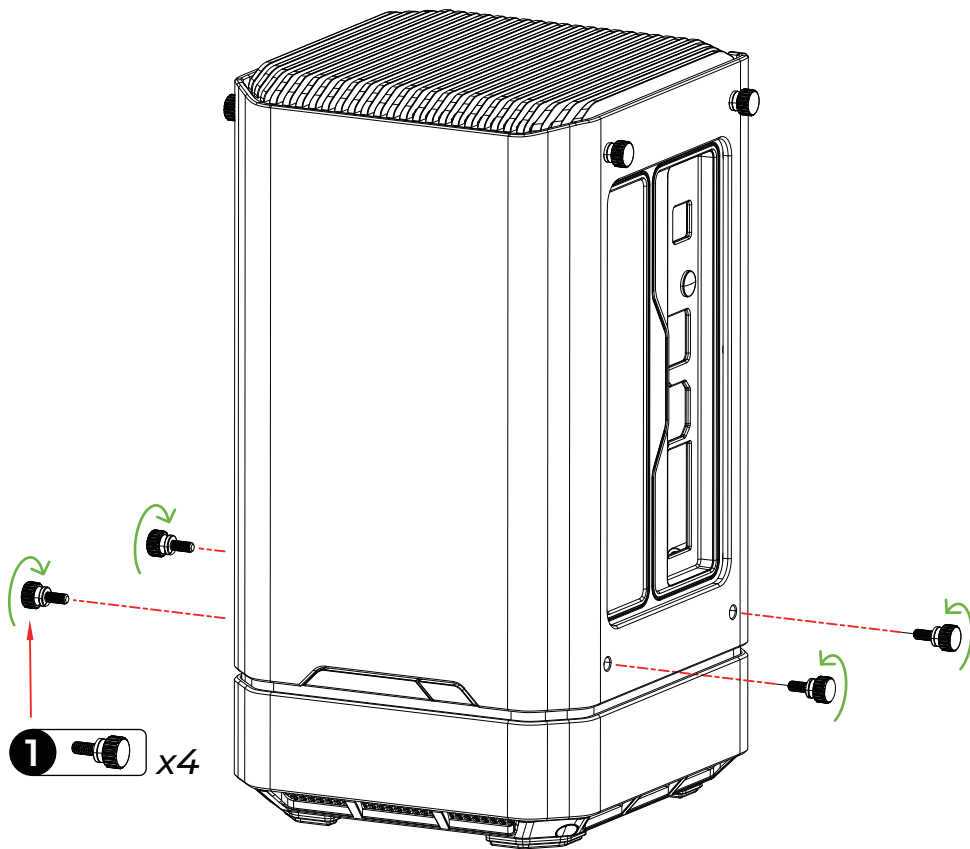
For more information, please scan  
the QR code, visit our wiki:



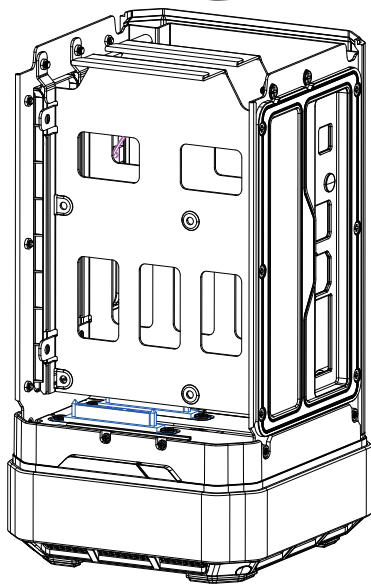
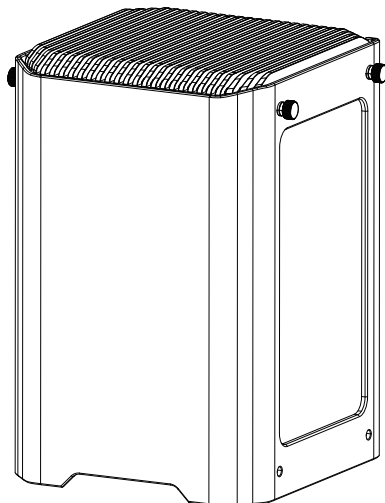
<https://wiki.seeedstudio.com/reServer-J2032-Getting-Started/>

<b>1</b>	<b>2</b>	<b>3</b>	<b>4</b>	<b>5</b>	<b>6</b>	<b>7</b>
						
Thumb screw PM3 x L7	Cross recessed flat head machine screw TM3 x L5	Cross recessed countersunk head machine screw KM3 x L5	Silicone plug	Cross recessed round head machine screw KM3 x L30	Cross recessed round head machine screw PM3 x L6	Cross recessed countersunk head machine screw #6-32 x L5

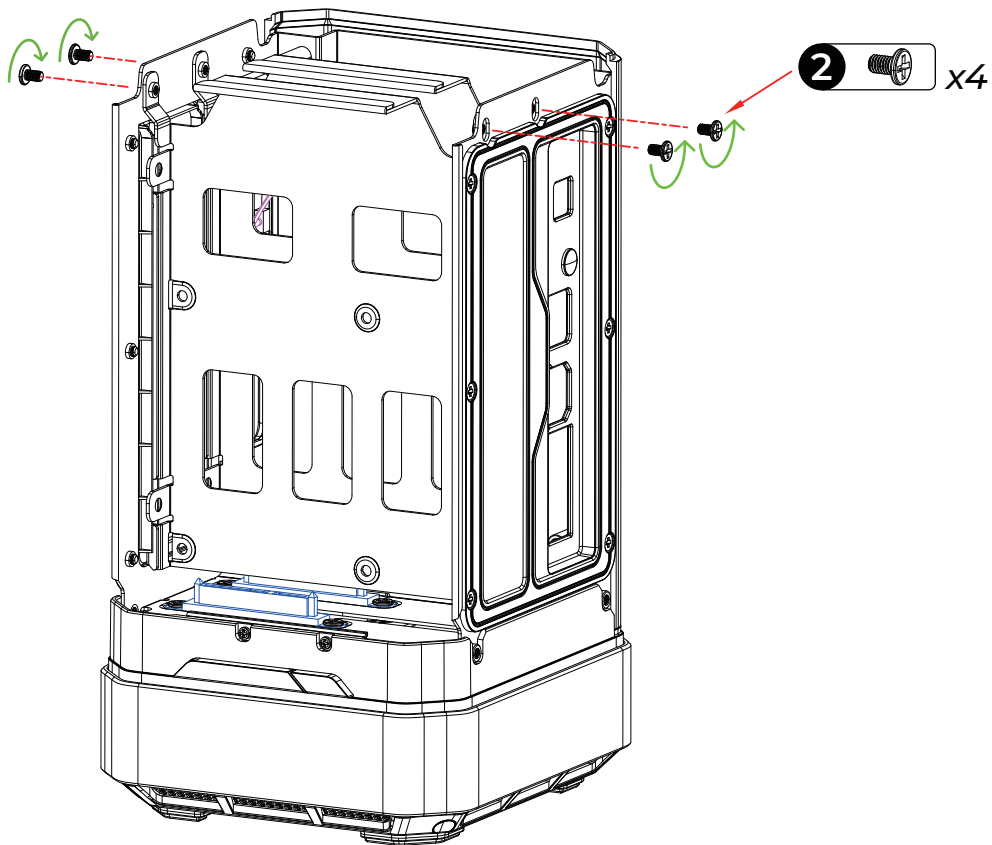
# Step 1



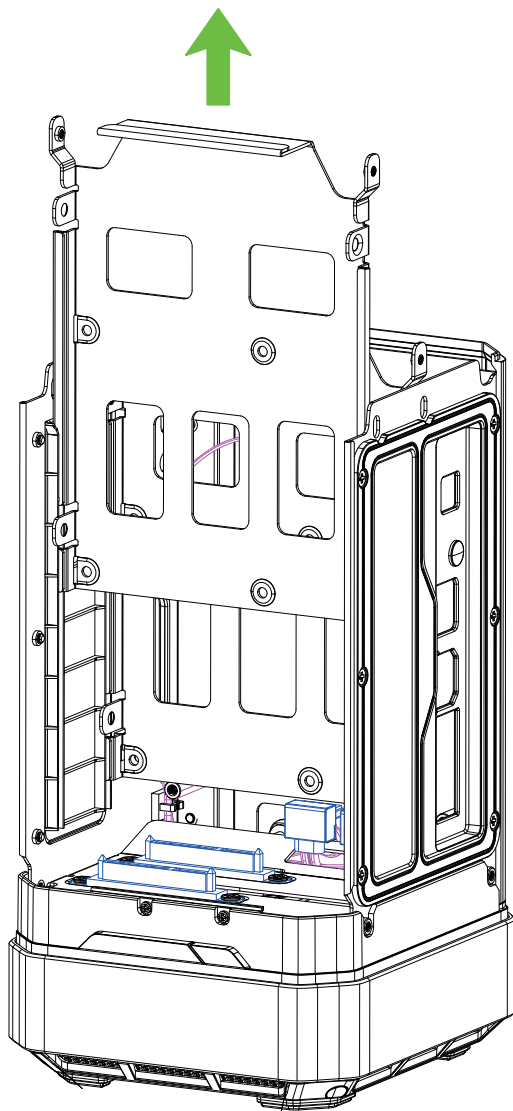
# Step 2



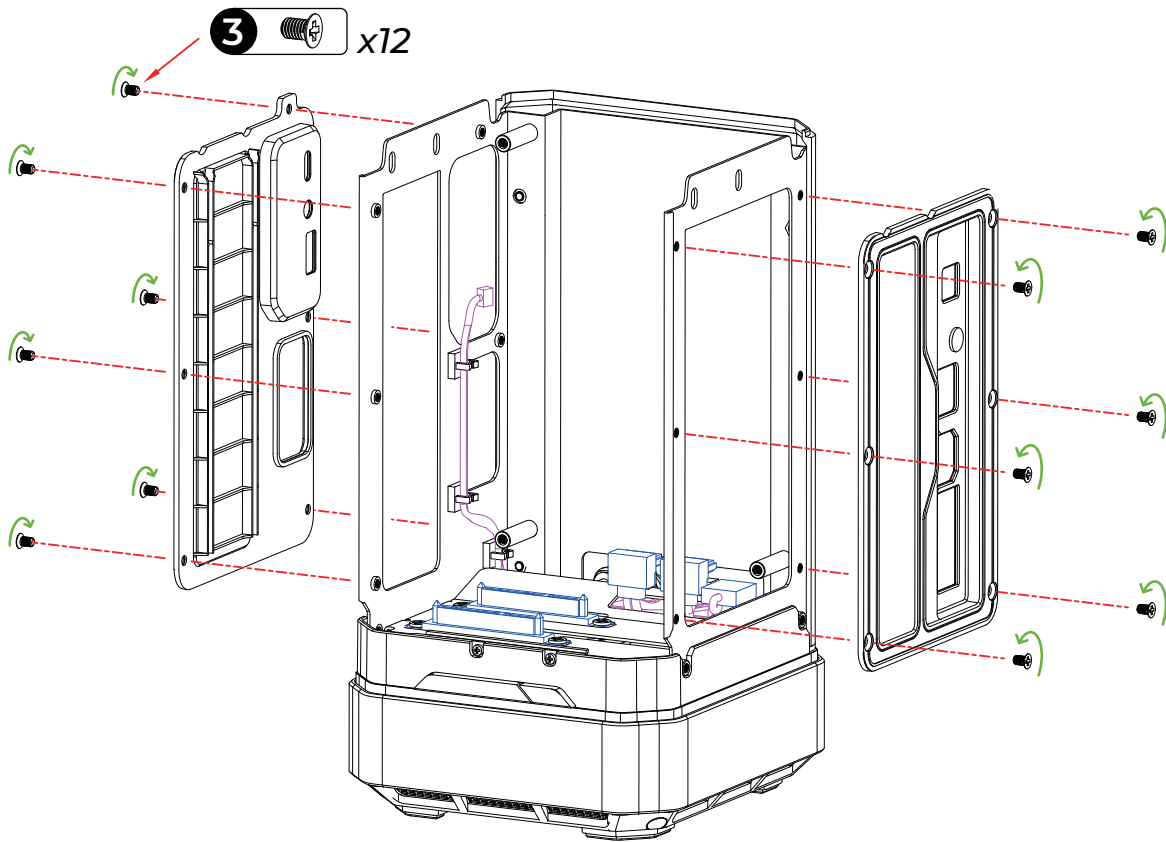
# Step 3



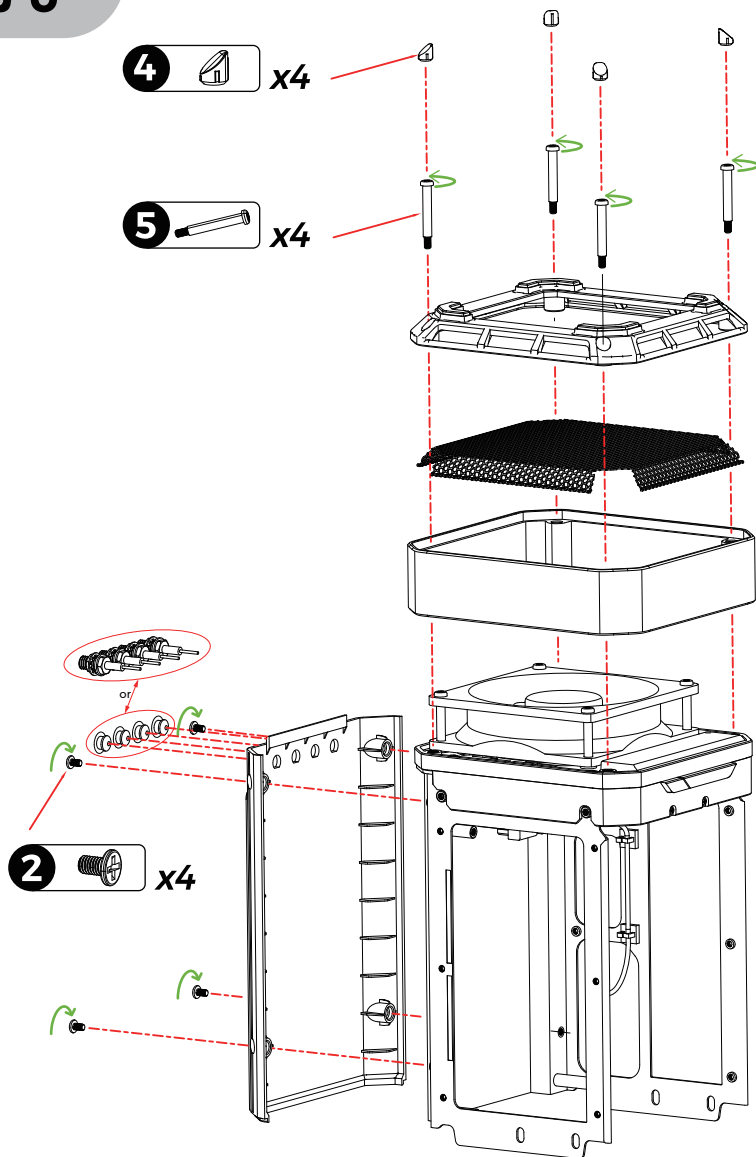
# Step 4



# Step 5

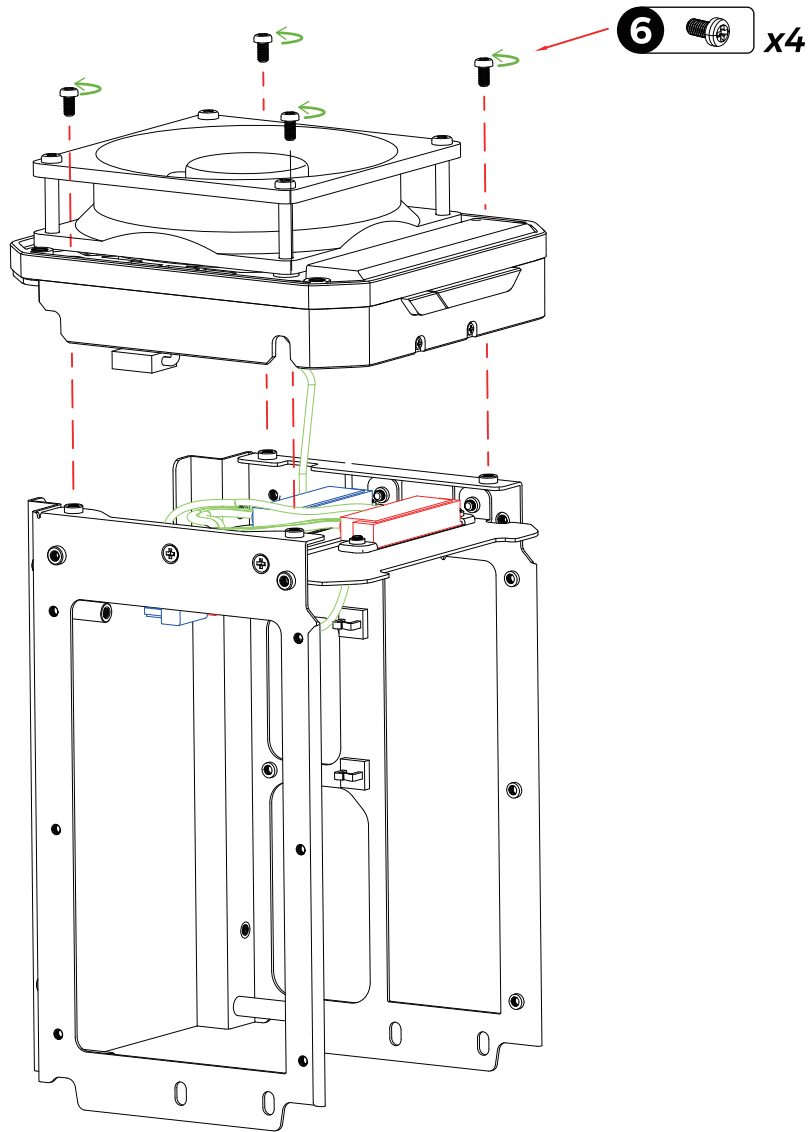


# Step 6

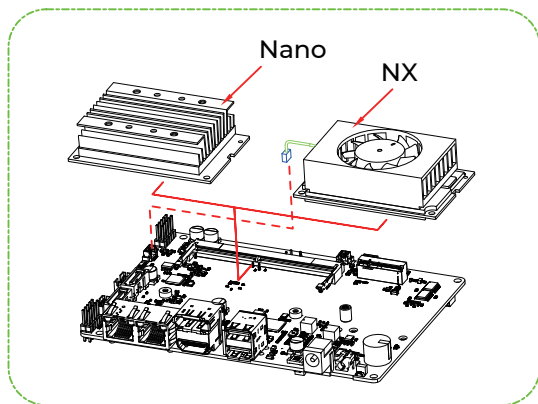




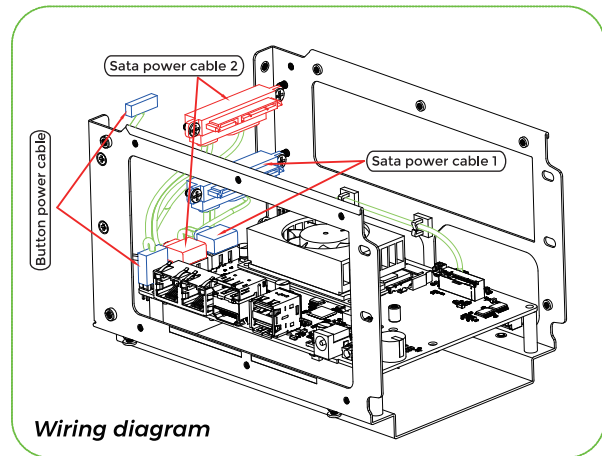
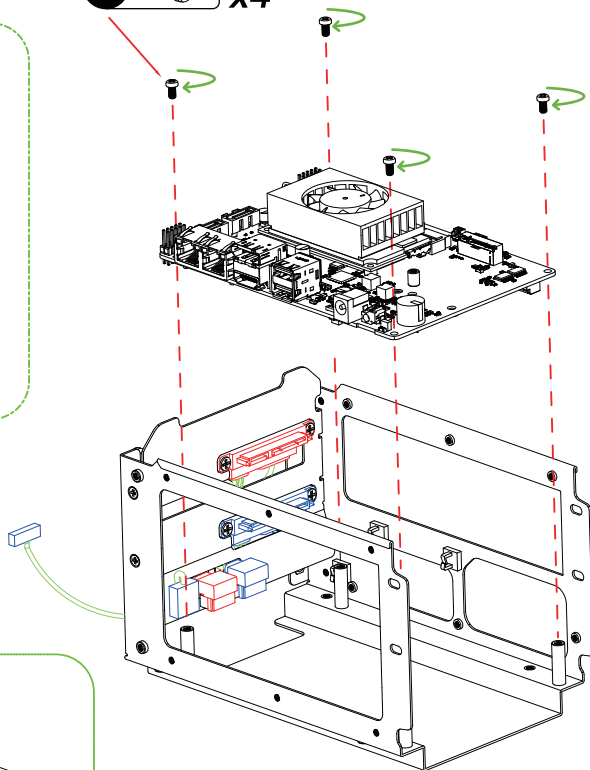
# Step 7



# Step 8



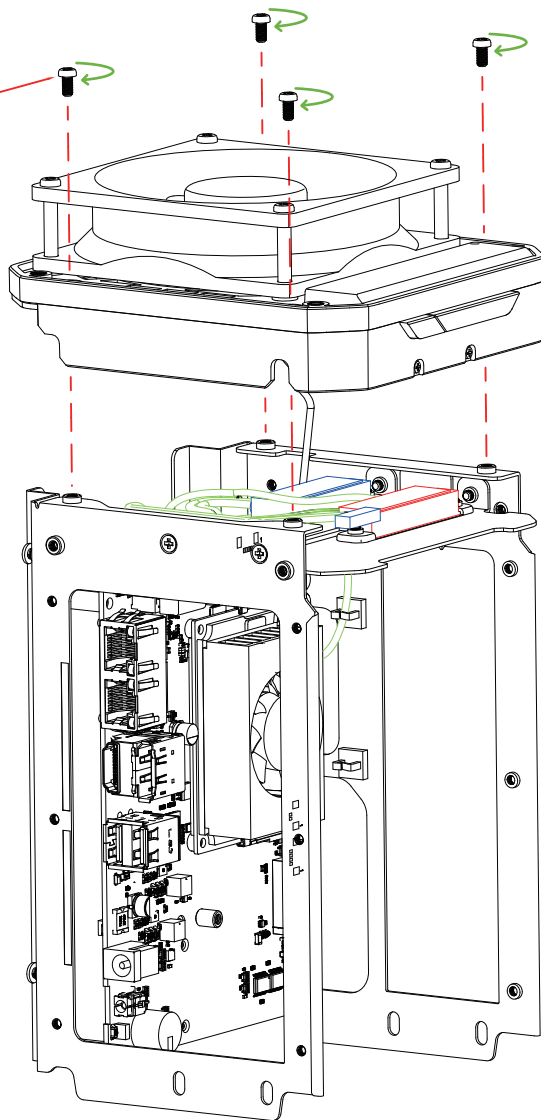
6 x4



Tips:  
connect sata power cable and button power cable to the PCBA first. Then, tighten the screws to fix the PCBA.

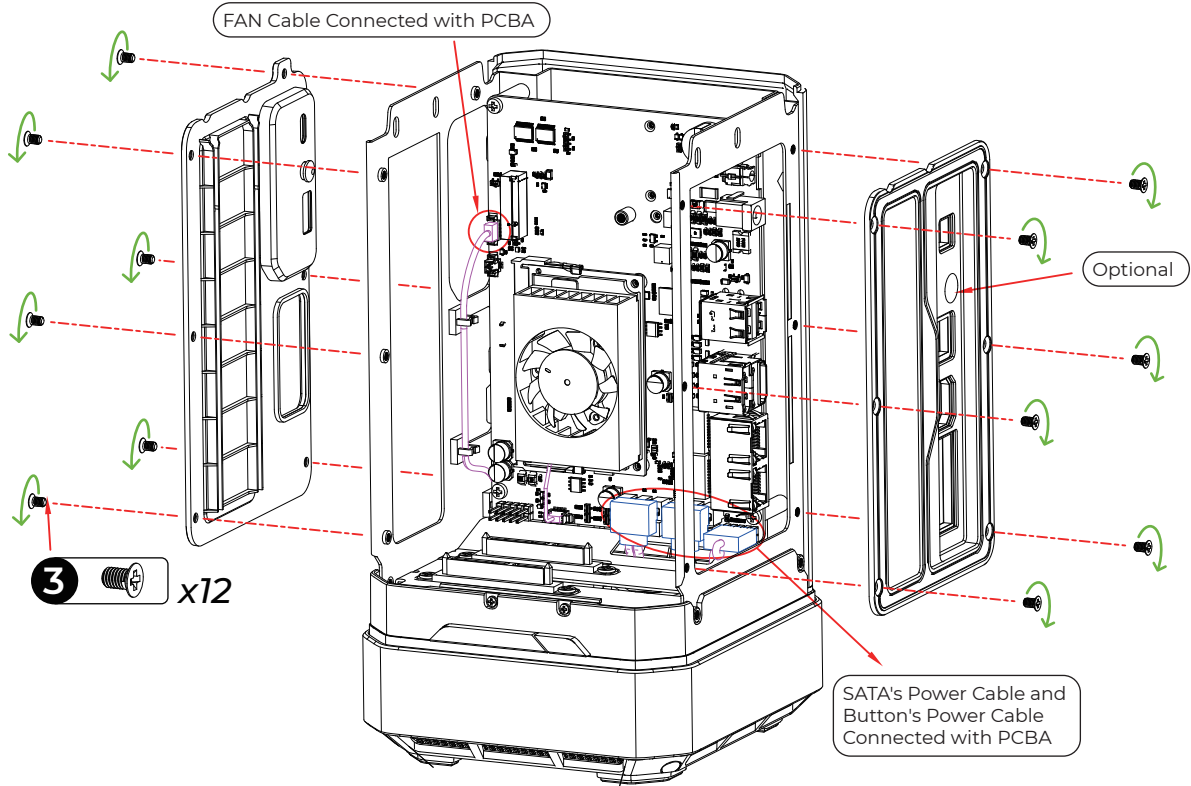
# Step 9

**6**  x4

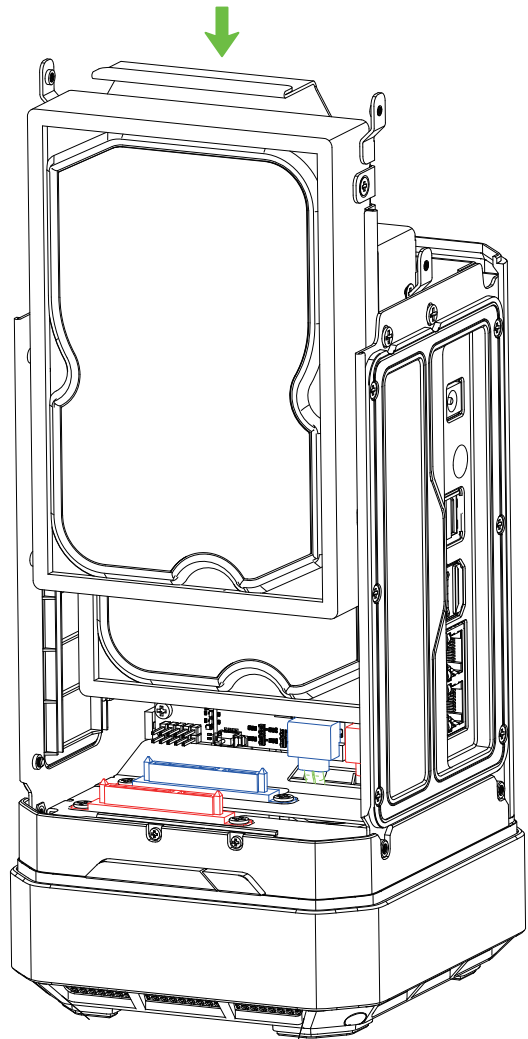
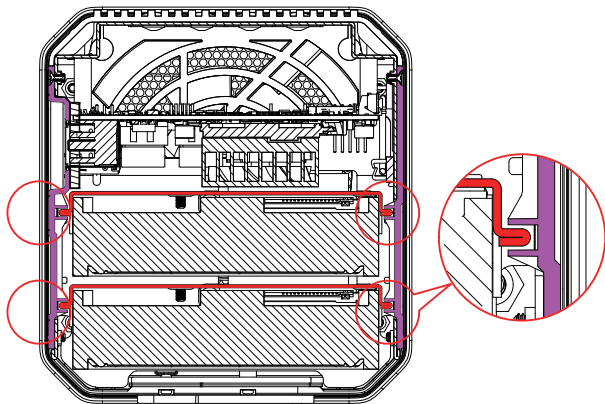
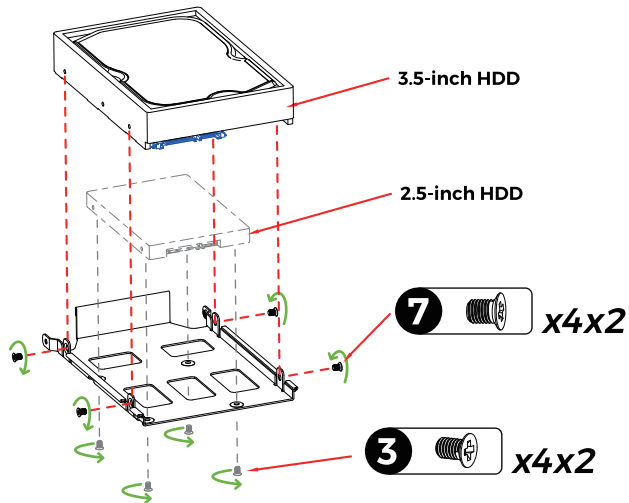




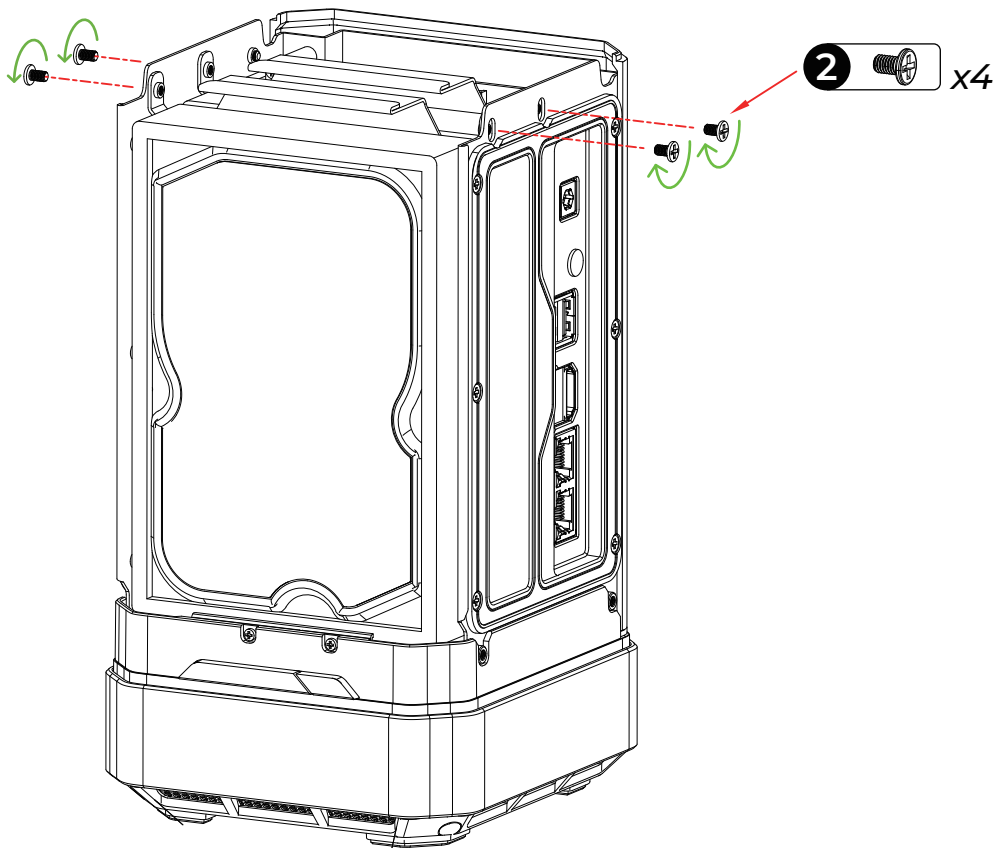
# Step 11



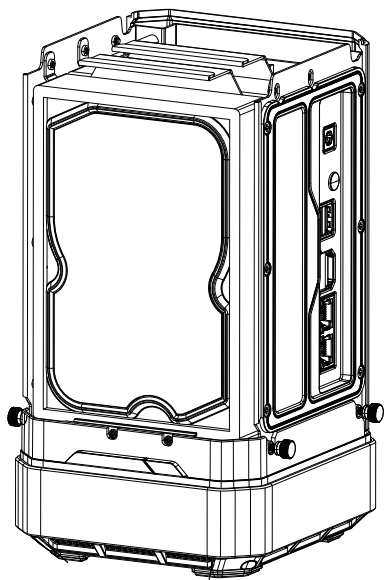
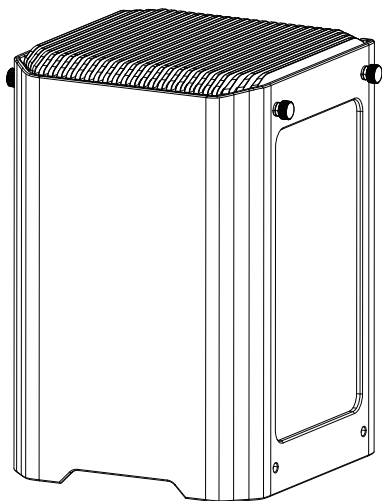
# Step 12



# Step 13

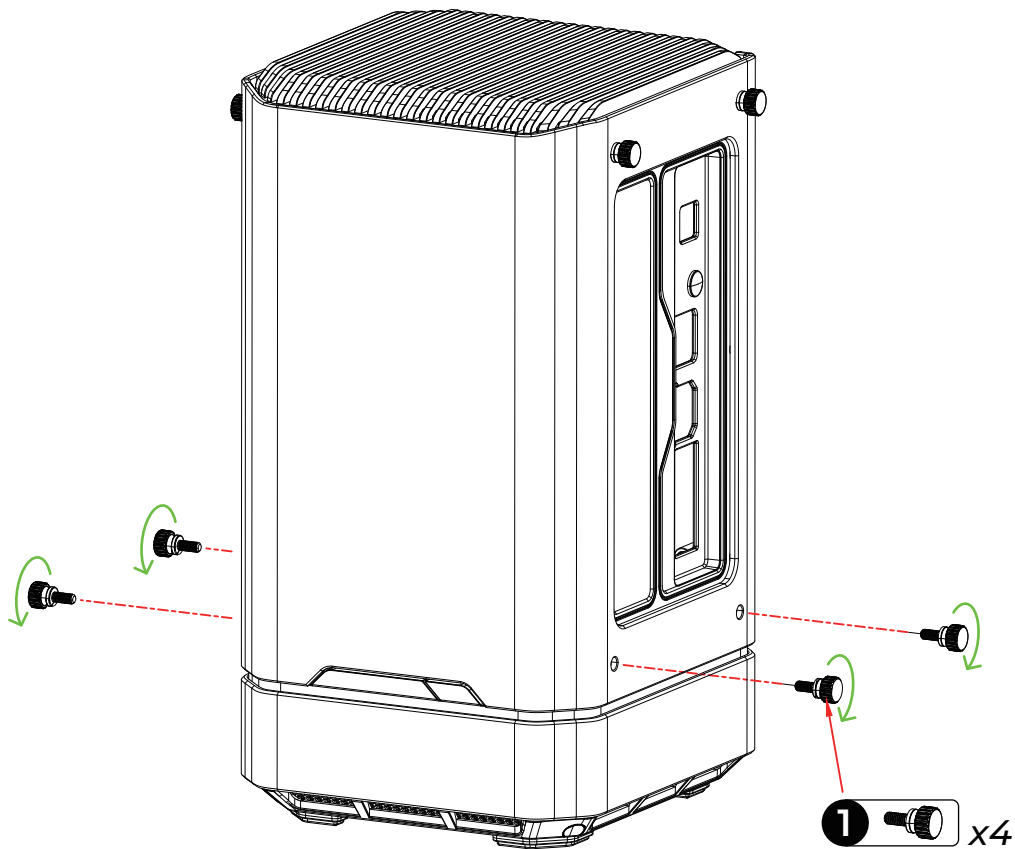


# Step 14

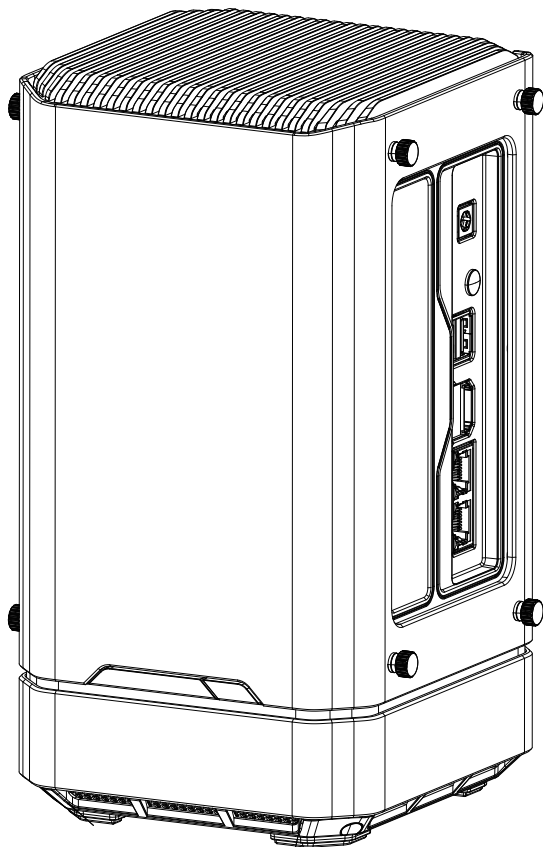




# Step 15

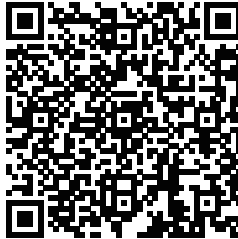


# Step 16





For more information, please scan  
the QR code, visit our wiki:



<https://wiki.seeedstudio.com/reServer-J2032-Getting-Started/>