

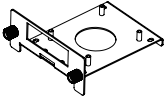
SKU: U6260

ASSEMBLY GUIDE

www.uctronics.com

Package Contents

01



Raspberry pi mounting bracket×4



M2.5*5 for Raspberry pi×16



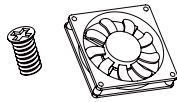
M3*5 screw for SSD×16



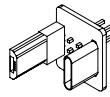
M3*4 screw for frameworks×32



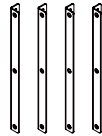
Foot pad×4



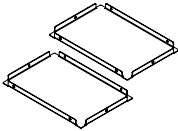
M5*10 screw for fans×8
8cm Cooling fan×2



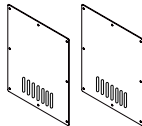
Fan adapter×1



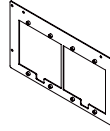
Framework×4



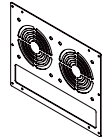
Bottom panel (top panel)×2



Side panel×2

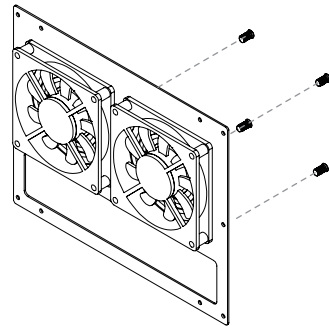
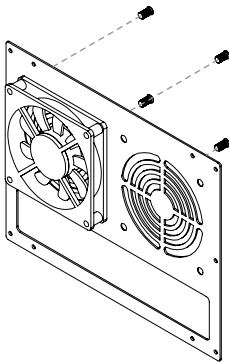


Front panel×1

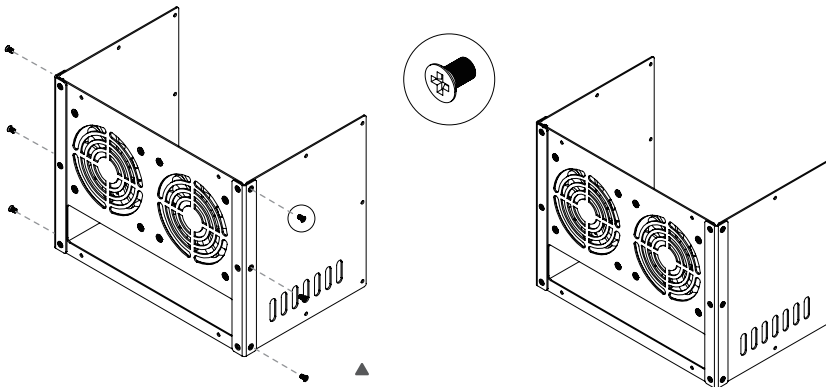
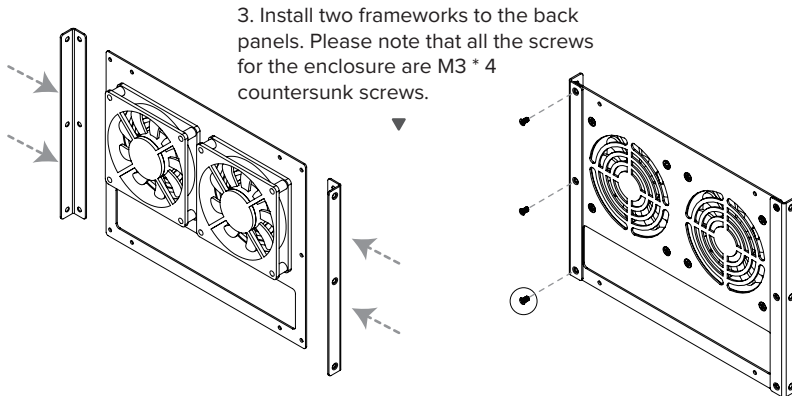
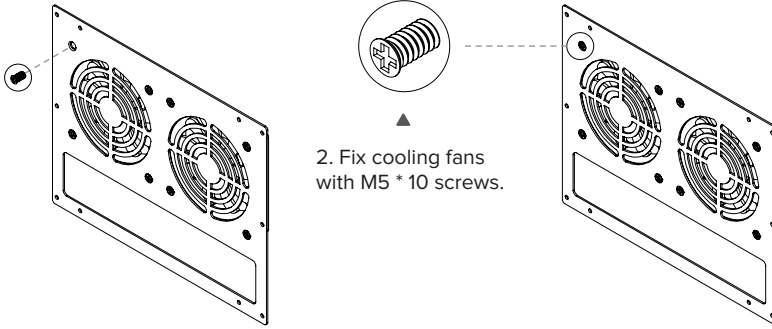


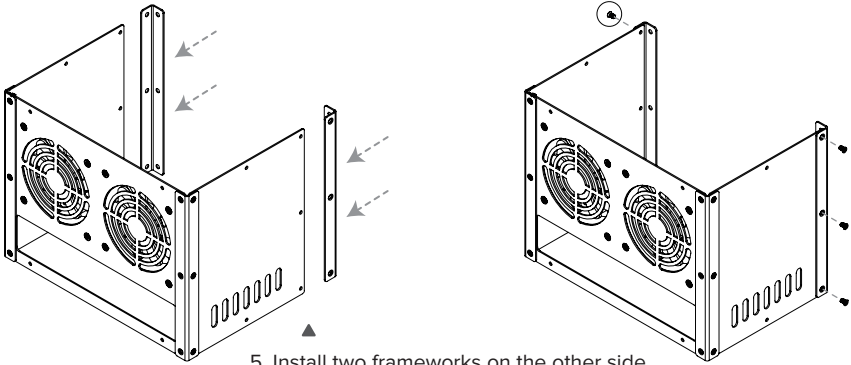
Back panel×1

Installation

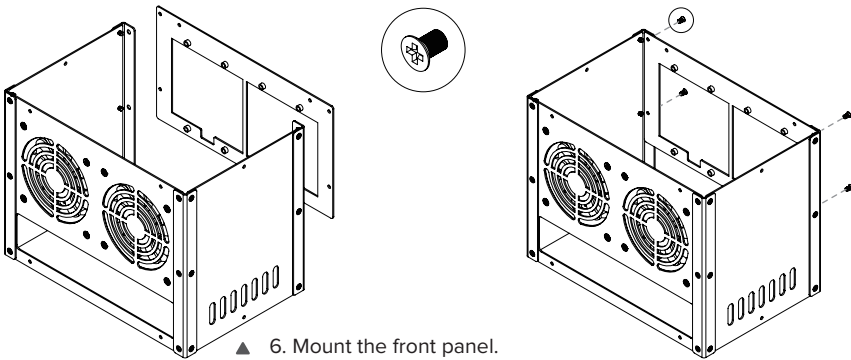


- ▲ 1. Install the fan to the back panel. Pay attention to the direction of the fan, the stickers should face the Raspberry Pi.

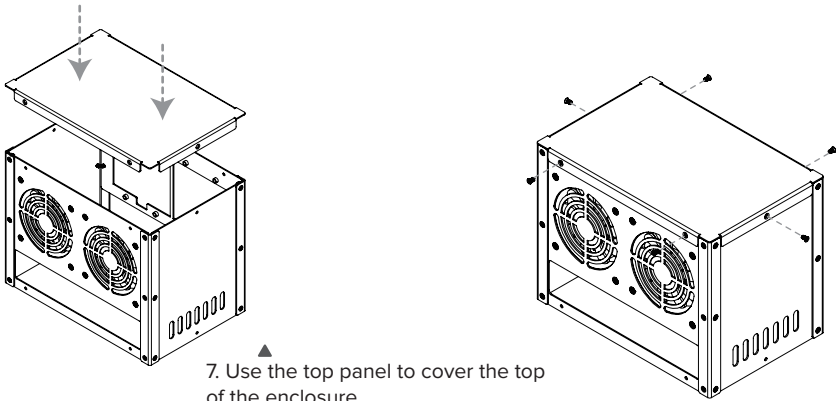




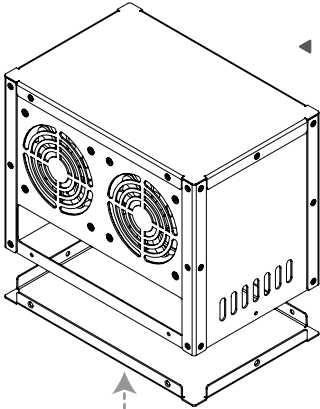
▲ 5. Install two frameworks on the other side of the side panel.



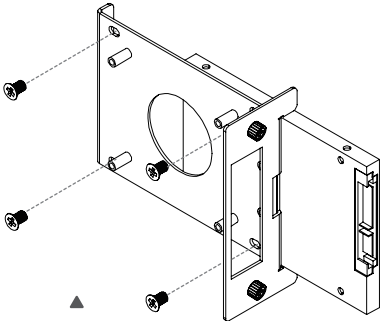
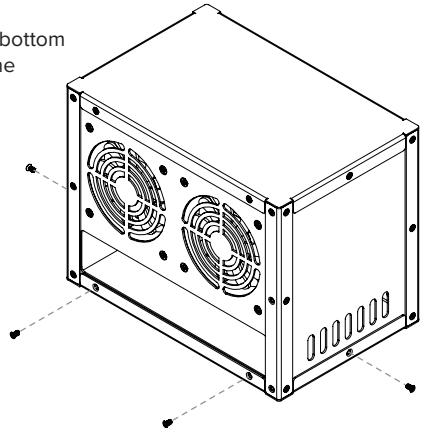
▲ 6. Mount the front panel.



▲ 7. Use the top panel to cover the top of the enclosure.

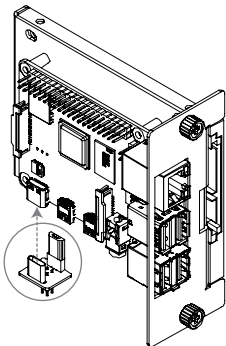
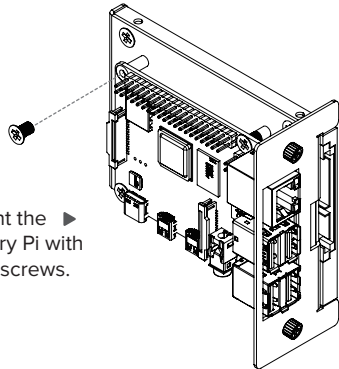


◀ 8. Snap the bottom panel into the enclosure.

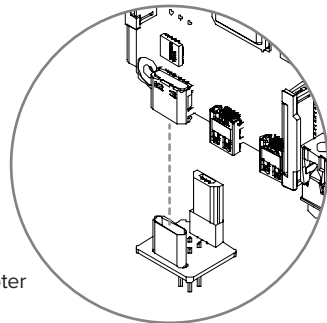


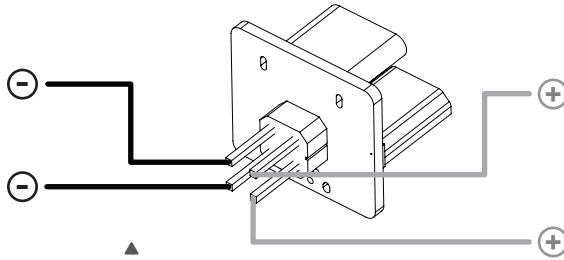
9. Insert the 2.5-inch SSD into the mounting bracket, align the direction of the mounting hole, and fix it with M3*5 screws.

10. Mount the ▶ Raspberry Pi with M2.5 *5 screws.

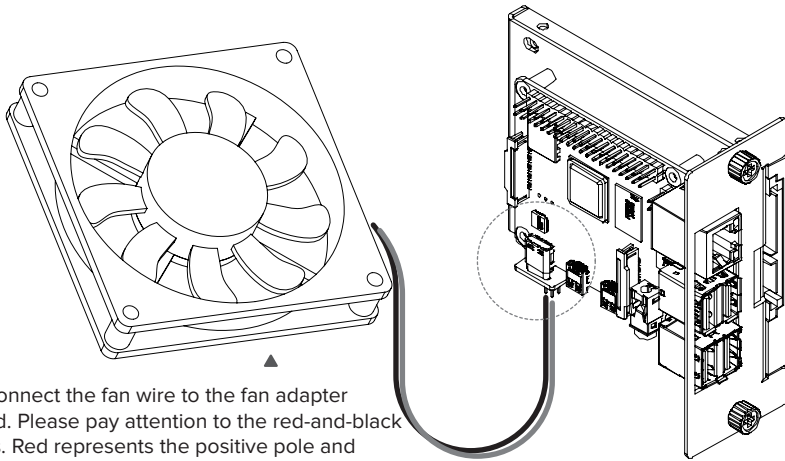


11. Insert the fan adapter board into the power interface of Raspberry Pi.

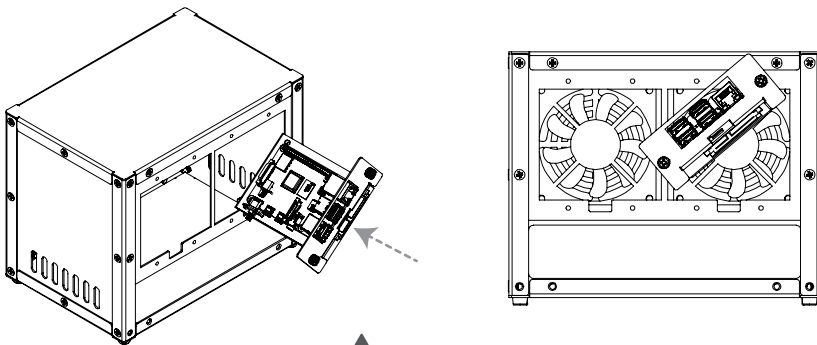




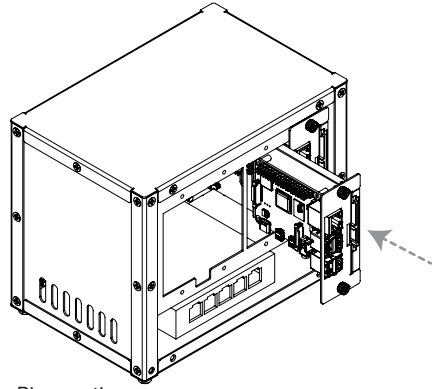
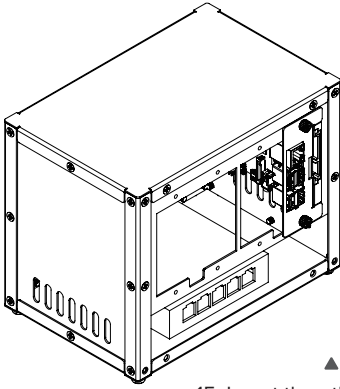
12. Polarity diagram of fan adapter.



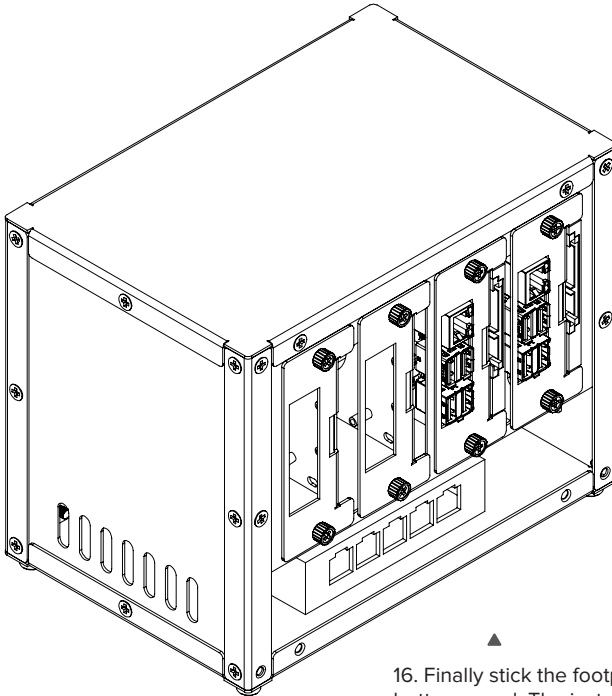
13. Connect the fan wire to the fan adapter board. Please pay attention to the red-and-black wires. Red represents the positive pole and black represents the negative pole.



14. Tilt and insert the installed bracket into the case and fix it with Captive Loose-Off Screws.



15. Insert the other Raspberry Pi mounting brackets into the enclosure.



16. Finally stick the footpads to the bottom panel. The installation is complete.

CONTACT US

If any problem, feel free to contact us.

Website: www.uctronics.com

Email: support@uctronics.com