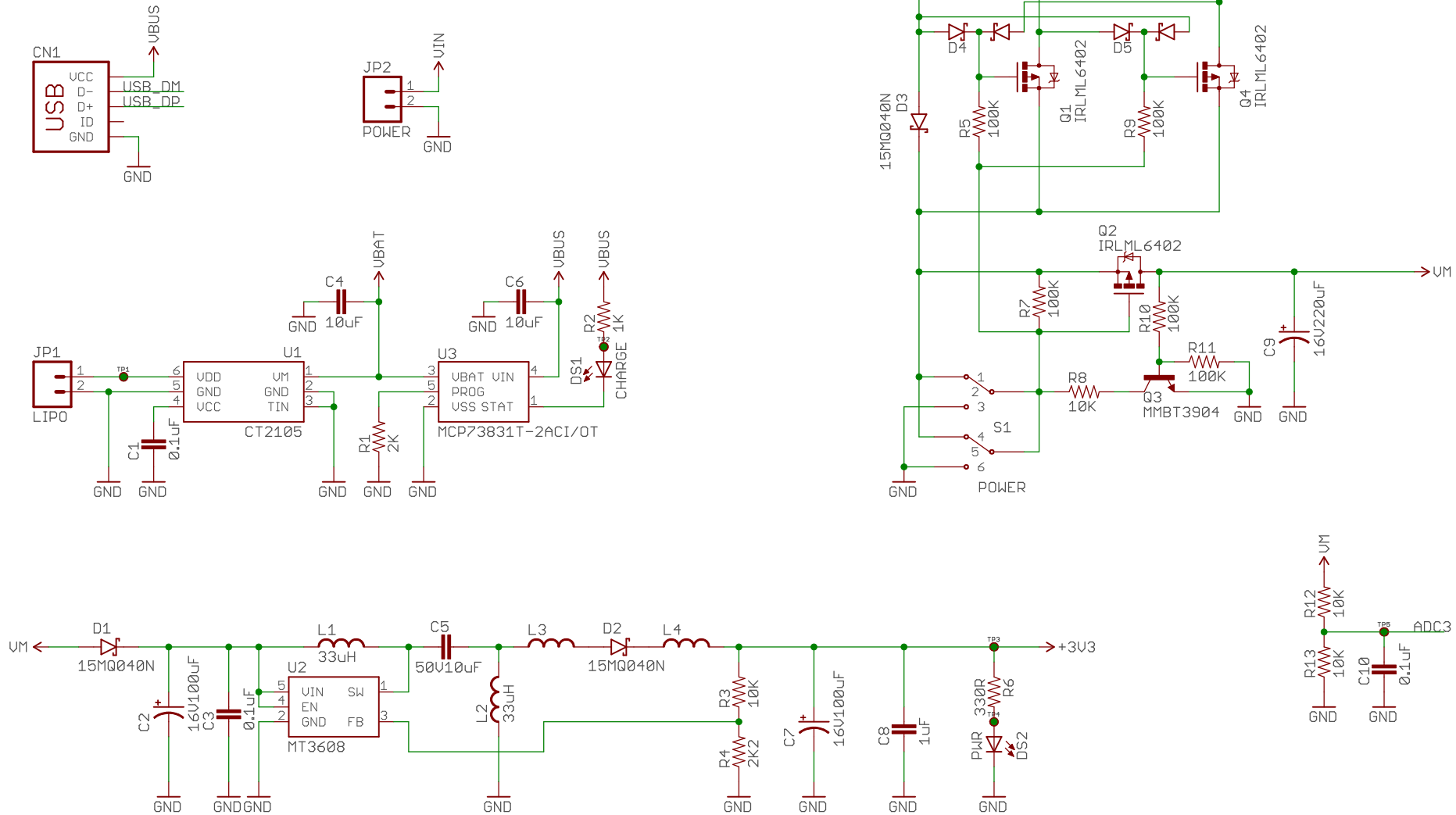


POWER SUPPLY



Name: Maker Pi RP2040

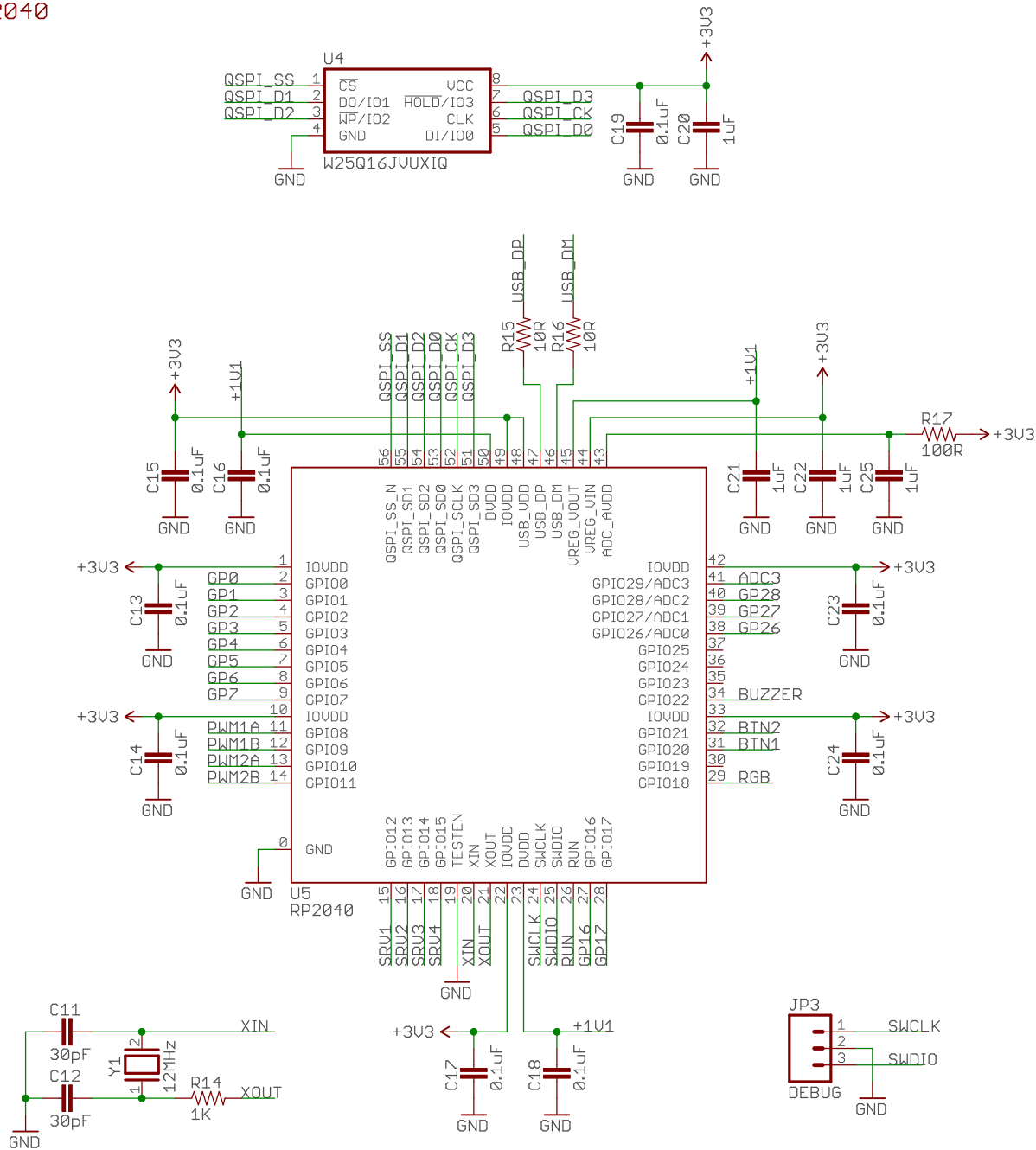
Product Code: MAKER-PI-RP2040

REU: 1.0.0

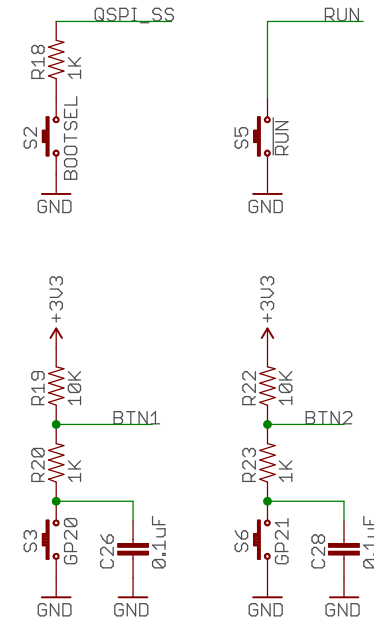
Date: 4/11/2021 6:14 PM

Sheet: 1/4

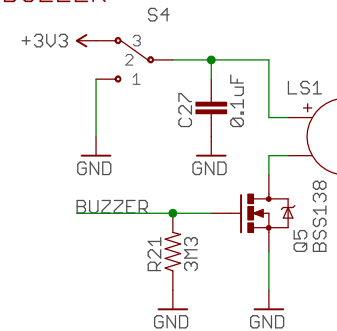
RP2040



PUSH BUTTONS



PIEZO BUZZER



Name: Maker Pi RP2040

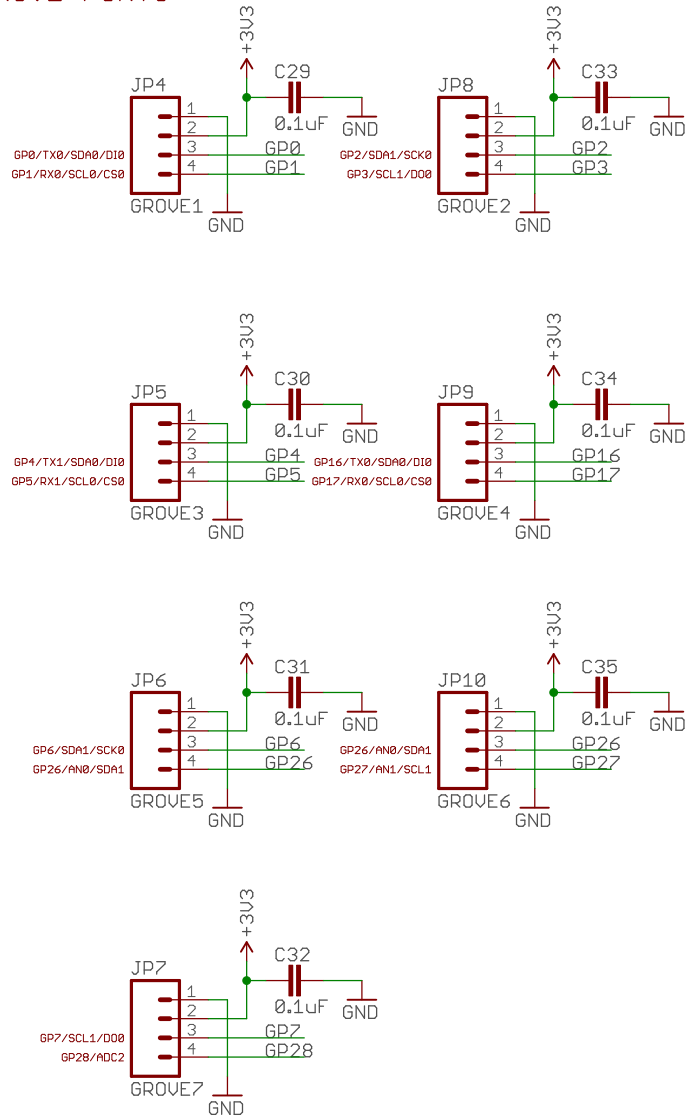
Product Code: MAKER-PI-RP2040

REV: 1.0.0

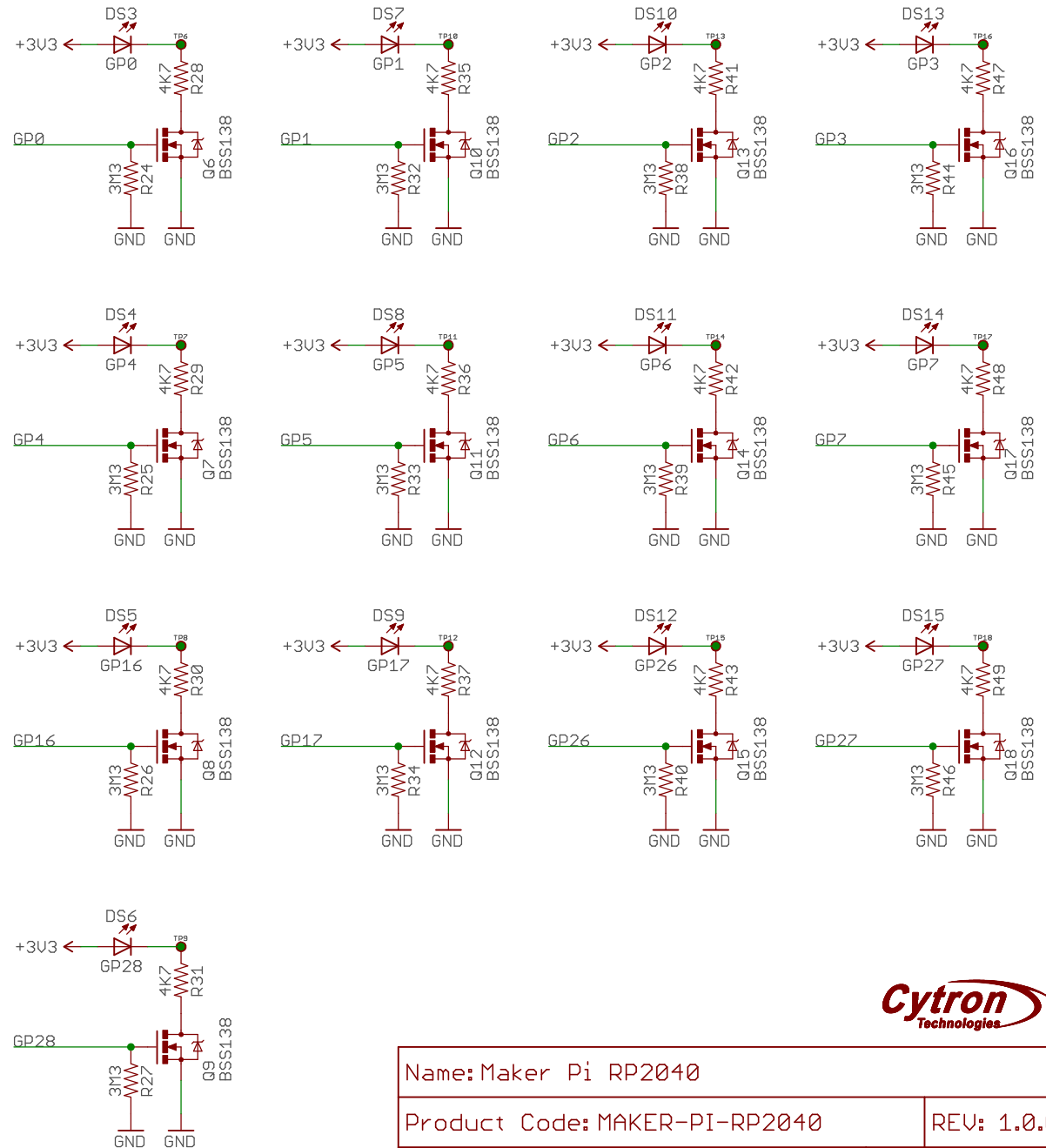
Date: 4/11/2021 6:14 PM

Sheet: 2/4

GROVE PORTS



DIGITAL IO STATUS LEDs



Name: Maker Pi RP2040

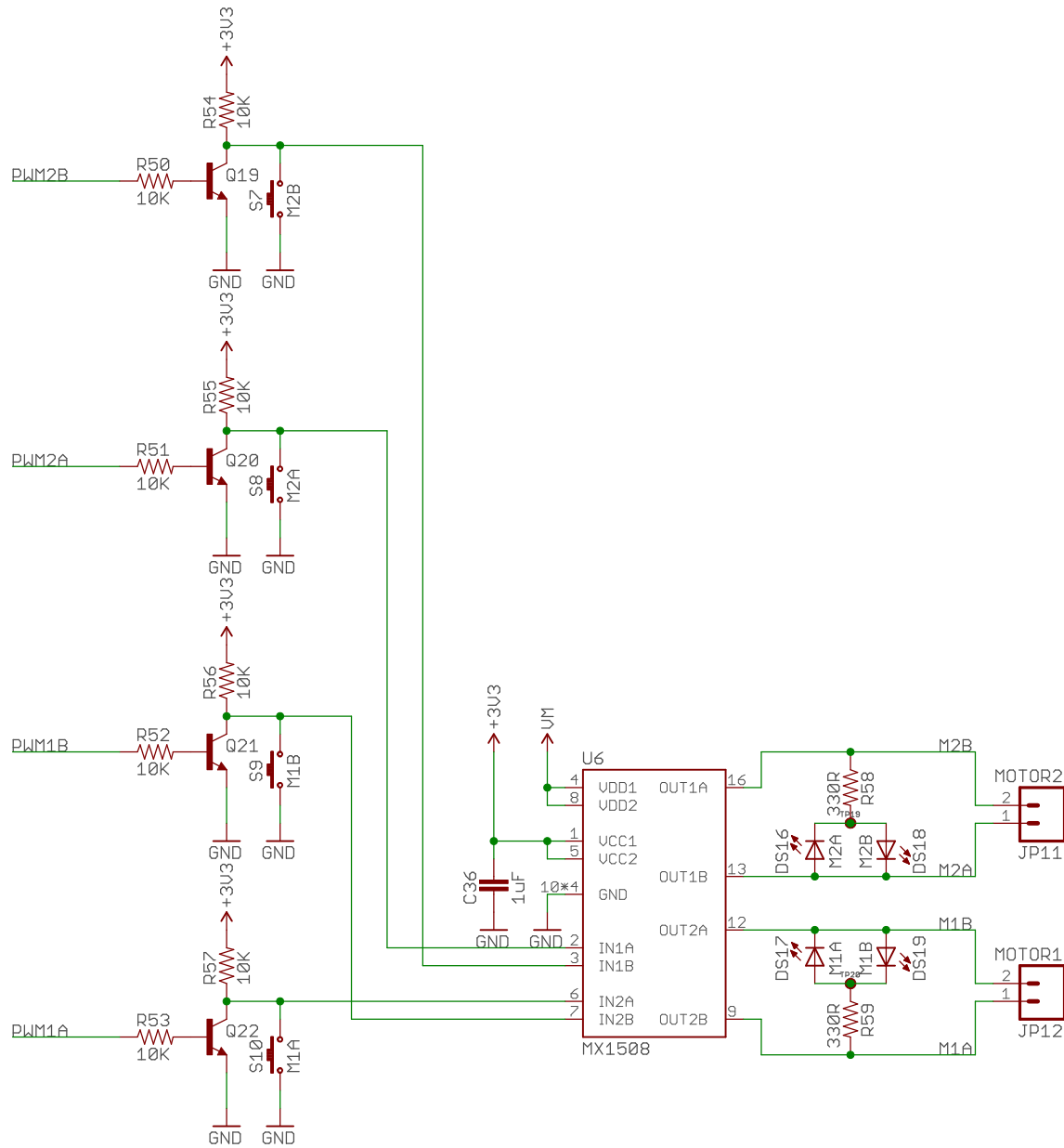
Product Code: MAKER-PI-RP2040

REV: 1.0.0

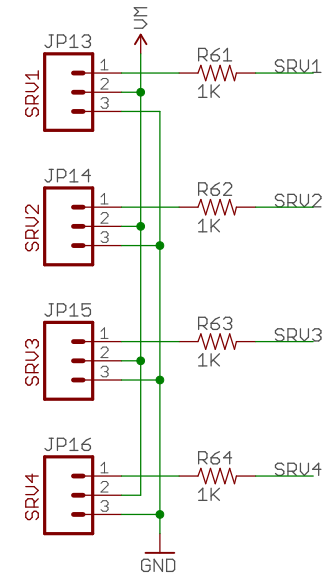
Date: 4/11/2021 6:14 PM

Sheet: 3/4

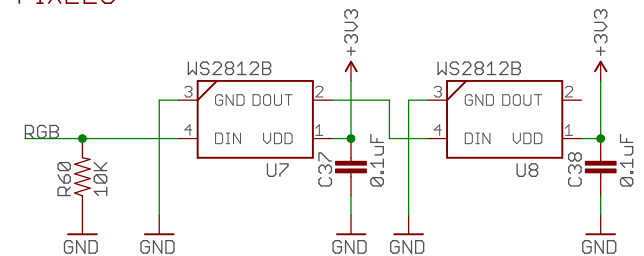
MOTOR DRIVERS



SERVO PORTS



NEO PIXELS



Name: Maker Pi RP2040

Product Code: MAKER-PI-RP2040

REV: 1.0.0

Date: 4/11/2021 6:14 PM

Sheet: 4/4