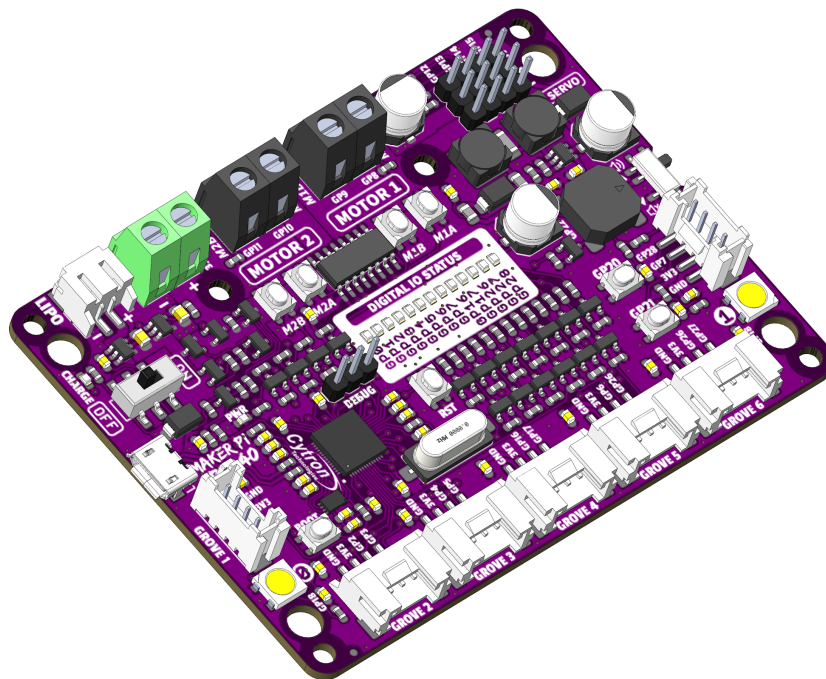




MAKER PI RP2040

Simplifying Robotics with Raspberry Pi[®] RP2040



Datasheet

Rev 1.0
April 2021

Information in this publication regarding device applications and the like is intended through suggestion only and may be superseded by updates. It is your responsibility to ensure that your application meets with your specifications. No representation or warranty is given and no liability is assumed by Cytron Technologies Incorporated with respect to the accuracy or use of such information or infringement of patents or other intellectual property rights arising from such use or otherwise. Use of Cytron Technologies's products as critical components in life support system is not authorized except with express written approval by Cytron Technologies. No licenses are conveyed, implicitly or otherwise, under any intellectual property rights.

* Raspberry Pi is a trademark of the Raspberry Pi Foundation.

1. BOARD LAYOUT & FUNCTION

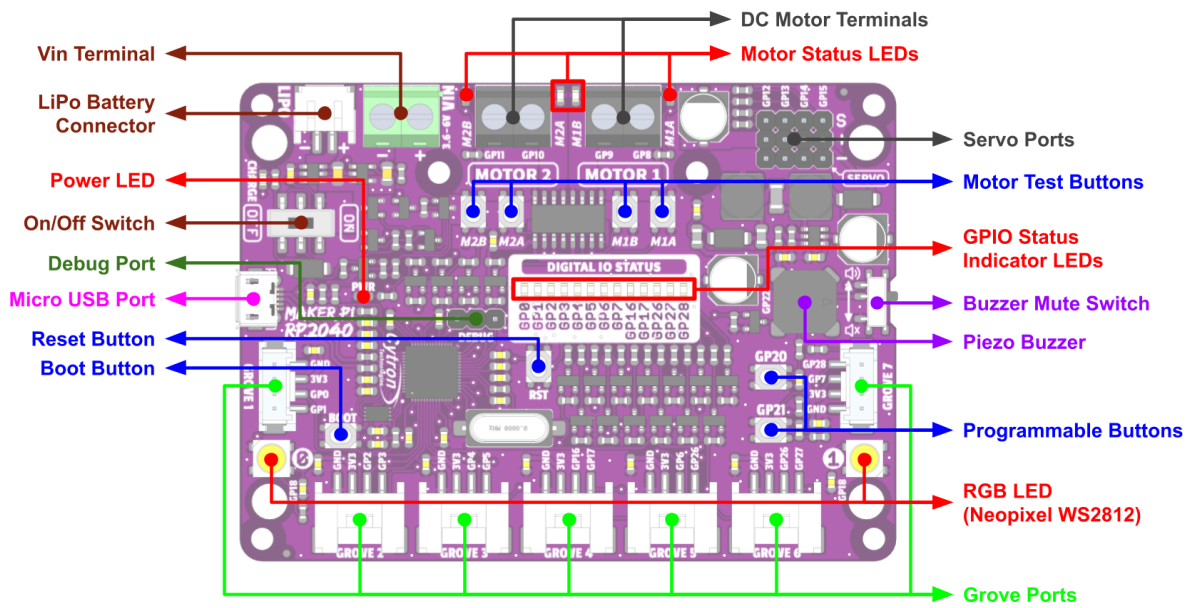


Figure 1: MAKER-PI-RP2040 Board Functions

Function	Description
Vin Terminal	Connect to any power source within 3.6 - 6V.
LiPo Battery Connector	Connect to Single Cell LiPo / Li-Ion Battery The battery is rechargeable via USB. <i>* The battery is protected from overcharged and over discharged. If the board cannot be turned on when the battery is connected, please charge the battery to activate the battery protection circuit.</i>
Power LED	Turn on when powered up.
On/Off Switch	Turn on/off the power.
Debug Port	Debugging port of the RP2040.
Micro USB Port	Used for upload programs from PC. Can also be used to power up the board.
Reset Button	Press to reset the RP2040.
Boot Button	Press and hold this button while resetting the RP2040 will enter the bootloader mode. Used to load the Micropython/Circuitpython or custom C/C++ firmware.

Function	Description																																																																																																		
Grove Ports	Connect to external Grove modules.																																																																																																		
	<table border="1" style="width: 100%; border-collapse: collapse;"> <thead> <tr> <th style="background-color: #008000; color: white;">Grove Port</th> <th style="background-color: #0000ff; color: white;">GPIO</th> <th style="background-color: #0000ff; color: white;">PWM</th> <th style="background-color: #0000ff; color: white;">SPI</th> <th style="background-color: #0000ff; color: white;">I2C</th> <th style="background-color: #0000ff; color: white;">UART</th> <th style="background-color: #0000ff; color: white;">Analog</th> </tr> </thead> <tbody> <tr> <td rowspan="2" style="text-align: center;">1</td> <td style="text-align: center;">0</td> <td>PWM0-A</td> <td>SDI0</td> <td>SDA0</td> <td>TX0</td> <td style="text-align: center;">-</td> </tr> <tr> <td style="text-align: center;">1</td> <td>PWM0-B</td> <td>CSn0</td> <td>SCL0</td> <td>RX0</td> <td style="text-align: center;">-</td> </tr> <tr> <td rowspan="2" style="text-align: center;">2</td> <td style="text-align: center;">2</td> <td>PWM1-A</td> <td>SCK0</td> <td>SDA1</td> <td style="text-align: center;">-</td> <td style="text-align: center;">-</td> </tr> <tr> <td style="text-align: center;">3</td> <td>PWM1-B</td> <td>SDO0</td> <td>SCL1</td> <td style="text-align: center;">-</td> <td style="text-align: center;">-</td> </tr> <tr> <td rowspan="2" style="text-align: center;">3</td> <td style="text-align: center;">4</td> <td>PWM2-A</td> <td>SDI0</td> <td>SDA0</td> <td>TX1</td> <td style="text-align: center;">-</td> </tr> <tr> <td style="text-align: center;">5</td> <td>PWM2-B</td> <td>CSn0</td> <td>SCL0</td> <td>RX1</td> <td style="text-align: center;">-</td> </tr> <tr> <td rowspan="2" style="text-align: center;">4</td> <td style="text-align: center;">16</td> <td>PWM0-A</td> <td>SDI0</td> <td>SDA0</td> <td>TX0</td> <td style="text-align: center;">-</td> </tr> <tr> <td style="text-align: center;">17</td> <td>PWM0-B</td> <td>CSn0</td> <td>SCL0</td> <td>RX0</td> <td style="text-align: center;">-</td> </tr> <tr> <td rowspan="2" style="text-align: center;">5</td> <td style="text-align: center;">6</td> <td>PWM3-A</td> <td>SCK0</td> <td>SDA1</td> <td style="text-align: center;">-</td> <td style="text-align: center;">-</td> </tr> <tr> <td style="text-align: center;">26</td> <td>PWM5-A</td> <td style="text-align: center;">-</td> <td>SDA1</td> <td style="text-align: center;">-</td> <td>ADC0</td> </tr> <tr> <td rowspan="2" style="text-align: center;">6</td> <td style="text-align: center;">26</td> <td>PWM5-A</td> <td style="text-align: center;">-</td> <td>SDA1</td> <td style="text-align: center;">-</td> <td>ADC0</td> </tr> <tr> <td style="text-align: center;">27</td> <td>PWM5-B</td> <td style="text-align: center;">-</td> <td>SCL1</td> <td style="text-align: center;">-</td> <td>ADC1</td> </tr> <tr> <td rowspan="2" style="text-align: center;">7</td> <td style="text-align: center;">7</td> <td>PWM3-B</td> <td>SDO0</td> <td>SCL1</td> <td style="text-align: center;">-</td> <td style="text-align: center;">-</td> </tr> <tr> <td style="text-align: center;">28</td> <td>PWM6-A</td> <td style="text-align: center;">-</td> <td style="text-align: center;">-</td> <td style="text-align: center;">-</td> <td>ADC2</td> </tr> </tbody> </table>	Grove Port	GPIO	PWM	SPI	I2C	UART	Analog	1	0	PWM0-A	SDI0	SDA0	TX0	-	1	PWM0-B	CSn0	SCL0	RX0	-	2	2	PWM1-A	SCK0	SDA1	-	-	3	PWM1-B	SDO0	SCL1	-	-	3	4	PWM2-A	SDI0	SDA0	TX1	-	5	PWM2-B	CSn0	SCL0	RX1	-	4	16	PWM0-A	SDI0	SDA0	TX0	-	17	PWM0-B	CSn0	SCL0	RX0	-	5	6	PWM3-A	SCK0	SDA1	-	-	26	PWM5-A	-	SDA1	-	ADC0	6	26	PWM5-A	-	SDA1	-	ADC0	27	PWM5-B	-	SCL1	-	ADC1	7	7	PWM3-B	SDO0	SCL1	-	-	28	PWM6-A	-	-	-	ADC2
	Grove Port	GPIO	PWM	SPI	I2C	UART	Analog																																																																																												
	1	0	PWM0-A	SDI0	SDA0	TX0	-																																																																																												
		1	PWM0-B	CSn0	SCL0	RX0	-																																																																																												
	2	2	PWM1-A	SCK0	SDA1	-	-																																																																																												
		3	PWM1-B	SDO0	SCL1	-	-																																																																																												
	3	4	PWM2-A	SDI0	SDA0	TX1	-																																																																																												
		5	PWM2-B	CSn0	SCL0	RX1	-																																																																																												
	4	16	PWM0-A	SDI0	SDA0	TX0	-																																																																																												
		17	PWM0-B	CSn0	SCL0	RX0	-																																																																																												
	5	6	PWM3-A	SCK0	SDA1	-	-																																																																																												
		26	PWM5-A	-	SDA1	-	ADC0																																																																																												
	6	26	PWM5-A	-	SDA1	-	ADC0																																																																																												
		27	PWM5-B	-	SCL1	-	ADC1																																																																																												
7	7	PWM3-B	SDO0	SCL1	-	-																																																																																													
	28	PWM6-A	-	-	-	ADC2																																																																																													
RGB LEDs (WS2812)	User programmable WS2812B RGB LED. Connected to GP18.																																																																																																		
Programmable Buttons	Accessible from the user program. Connected to GP20 and GP21																																																																																																		
Piezo Buzzer	Can be used to play tone or melody. Connected to GP22.																																																																																																		
Buzzer Mute Switch	Used to mute the piezo buzzer.																																																																																																		
GPIO Status LEDs	LED indicators for RP2040 GPIOs on Grove Ports. Turn on when the GPIO state is high.																																																																																																		
Motor Test Buttons	Press to test the functionality of the motor driver. Motor will run at full speed. <ul style="list-style-type: none"> ● MxA : Forward* ● MxB : Backward* 																																																																																																		
Servo Ports	Connectors for 4 x RC servo motors. Signal is connected to GP12, GP13, GP14 and GP15. V+ voltage is equal to power source voltage.																																																																																																		
Motor Status LEDs	Turn on when the motor is running. <ul style="list-style-type: none"> ● MxA : Forward* ● MxB : Backward* 																																																																																																		
DC Motor Terminals	Connect to the motor terminal. Motor voltage at full speed is equal to power source voltage. Motor direction is dependent on the polarity. <ul style="list-style-type: none"> <li style="width: 50%;">● M1A : GP8 <li style="width: 50%;">● M2A : GP10 <li style="width: 50%;">● M1B : GP9 <li style="width: 50%;">● M2B : GP11 																																																																																																		

Table 1: MAKER-PI-RP2040 Board Functions

* Actual motor direction is dependent on the motor connection.
Swapping the connection (MxA & MxB) will reverse the direction.

2. SPECIFICATIONS

No	Parameters	Min	Max	Unit	
1	Power Input Voltage (USB, LiPo or VIN) *	3.6	6	V	
2	Digital Input Voltage	Low Level	-0.3	0.8	V
		High Level	2.0	3.6	V
3	Digital Output Voltage	Low Level	0	0.5	V
		High Level	2.6	3.3	V
4	Analog Input Voltage	0	3.3	V	
5	Vmotor (Only USB is connected) *	VUSB - 0.4		V	
6	Vmotor (Only either one of LiPo or VIN is connected) *	VLiPo or VIN		V	
7	Vmotor (USB and LiPo are connected) *	VUSB - 0.4		V	
8	Vmotor (USB and VIN are connected) *	VIN < VUSB	VUSB - 0.4		V
		VIN > VUSB and VIN - VUSB < 0.6	VIN - 0.4		V
		VIN - VUSB > 0.6	VIN		V
9	Maximum DC Motor Current	Continuous	-	1	A
		Peak (< 5 seconds)	-	1.5	A
10	Total +3V3 Output Current (Grove Ports)	-	300	mA	
11	Operating Temperature	-20	85	°C	

Table 2: MAKER-PI-RP2040 Absolute Maximum Ratings

* *It's not recommended to connect both LiPo and VIN at the same time. Although it's perfectly safe to do so.*

3. DIMENSION

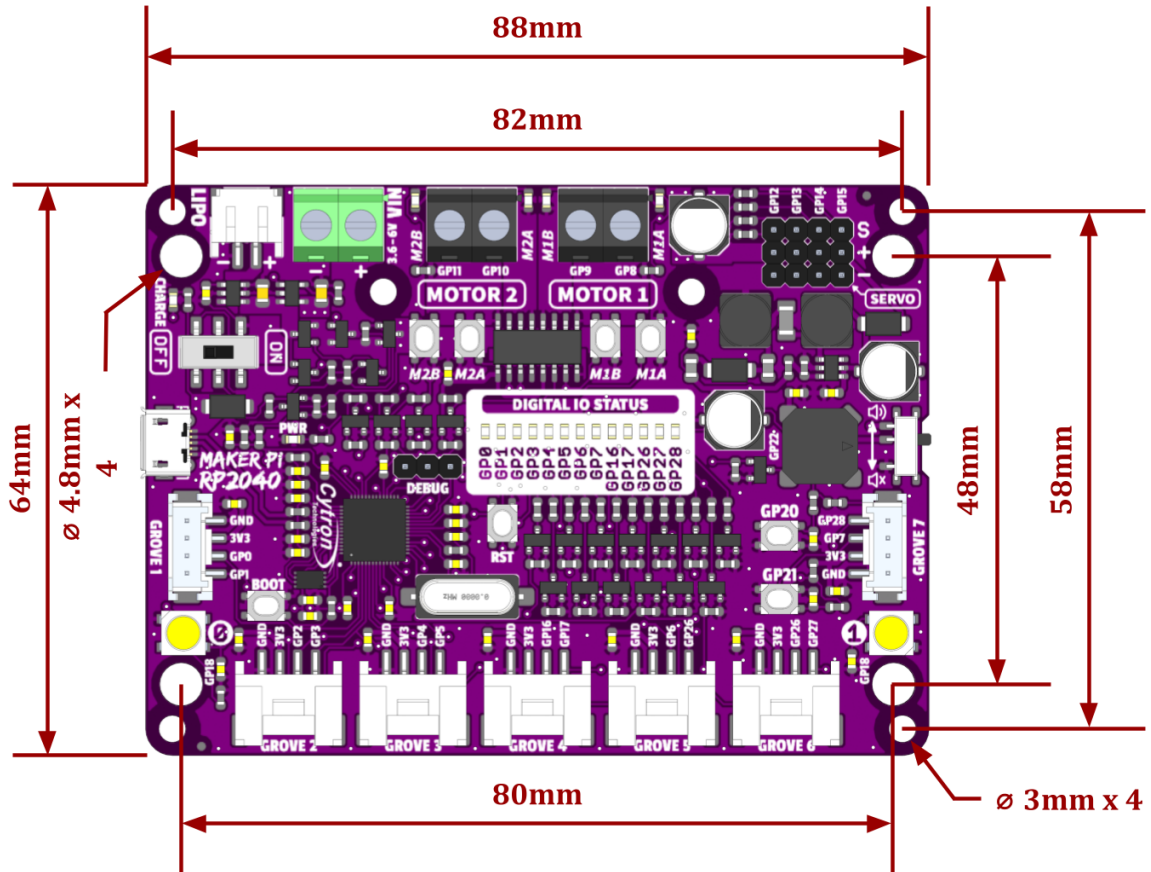


Figure 2: MAKER-PI-RP2040 Dimension

Prepared by:

Cytron Technologies Sdn Bhd

www.cytron.io

No. 1, Lorong Industri Impian 1,
Taman Industri Impian,
14000 Bukit Mertajam,
Penang, Malaysia.

Tel: +604 - 548 0668

Fax: +604 - 548 0669

Email:

support@cytron.io

sales@cytron.io