



Micro Flow Sensor

(Model: F1031V)

Manual

Version: 1.2

Issue Date: 2020.04.02

Zhengzhou Winsen Electronics Technology Co., Ltd

Statement

This manual copyright belongs to Zhengzhou Winsen Electronics Technology Co., LTD. Without the written permission, any part of this manual shall not be copied, translated, stored in database or retrieval system, also can't spread through electronic, copying, record ways.

Thanks for purchasing our product. In order to let customers use it better and reduce the faults caused by misuse, please read the manual carefully and operate it correctly in accordance with the instructions. If users disobey the terms or remove, disassemble, change the components inside of the sensor, we shall not be responsible for the loss.

The specific such as color, appearance, sizes &etc, please in kind prevail.

We are devoting ourselves to products development and technical innovation, so we reserve the right to improve the products without notice. Please confirm it is the valid version before using this manual. At the same time, users' comments on optimized using way are welcome.

Please keep the manual properly, in order to get help if you have questions during the usage in the future.

Zhengzhou Winsen Electronics Technology CO., LTD

F1031V Micro Flow Sensor

Profile

The F1031V flow sensor uses the thermodynamic principle to detect flow rate of the gas medium in the flow channel, with good precision and repeatability. Temperature sensors are built-in and every one product is calibrated for temperature compensation. At the same time, it has linear analog voltage output, convenient to use.

Features

Latest MEMS Sensor chip technology
 High accuracy, quick response, good repeatability
 Detection micro flow accurately
 It is calibrated completely and temperature compensated



Main Applications

Intensive care ventilator
 Portable ventilator

Technical Parameters Stable1. Technical Parameters

Model	F1031V			
Measuring Range ^①	100, 150, 200, 300SLM ^②			
	Min	Typical	Max	Unit
Full Scale Output	4.34	4.50	4.66	V
Zero Output	0.45	0.5	0.55	V
Output Impedance	-	1000	-	Ω
Working Voltage	4.95	5.0	14.0	V
Working Current	-	25	-	mA
Accuracy	-	±2.5	±4	%F.S
Repeatability	-	±0.5	±1	%F.S
Output Drift		0.12		%/°C
Signal noise	-	10	-	mV(Vrms)
Resistance	-	120	-	Pa/60SLM
Power consumption	-	125	-	mW/5V
Working pressure	-	-	100	kPa
Response Time ^③	-	10	-	ms
Working Temp. ^④	-25		65	°C
Storage Temp.	-40		90	°C

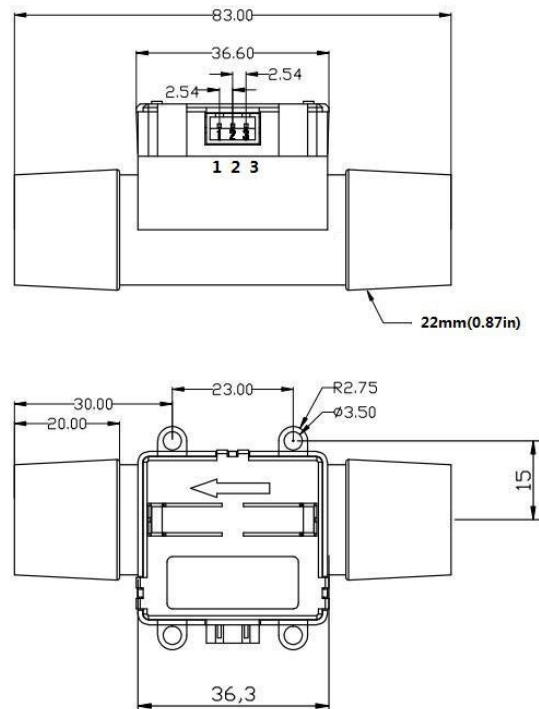


Fig1.Sensor Structure

Note:

- ① The measuring range within 20-300SLM.
- ② SLM means standard liter per minute. Standard-state: gas temperature is 20°C and pressure is 101.325 kPa. The testing environment is room temperature and clear air.
- ③ The response time could be customized for 15-1000ms.
- ④ The temperature compensation is for the tem. range of 0-50°C and the compensation performance can't be ensured beyond the temperature range.

Pins Definition**Stable 2. Pins definition**

Pin	Function
1(black or gray)	GND
2(red)	VCC
3(yellow)	OUT

Calculation for Airflow

Actual flow=full scale * (sensor actual output voltage-zero output voltage) / (full scale output voltage-zero output voltage)

For example: the sensor full scale is 200 SLM, the sensor zero output voltage is 0.5V and full scale output voltage is 4.5V, and the actual output is 3.5V.

Then the actual flow=200 SLM * (3.5V – 0.5V)/(4.5V- 0.5V) = 150SLM

Cautions

- 1.The air inlet and air outlet of the sensor need to be equipped with long straight pipe to ensure the product's performance. It is recommended to leave a straight pipe for the inlet with 10 times longer than the pipe diameter while the outlet will be 5 times longer.
2. If measured gas medium contains dirt, the sensor's lifespan will be shortened. We suggest users equip the sensor flow inlet with 5 micrometer precise filter.
3. The sensitivity of the product will reduce or be damaged if it contacts to water.
4. The wrong connecting of power supply will damage the internal circuit.