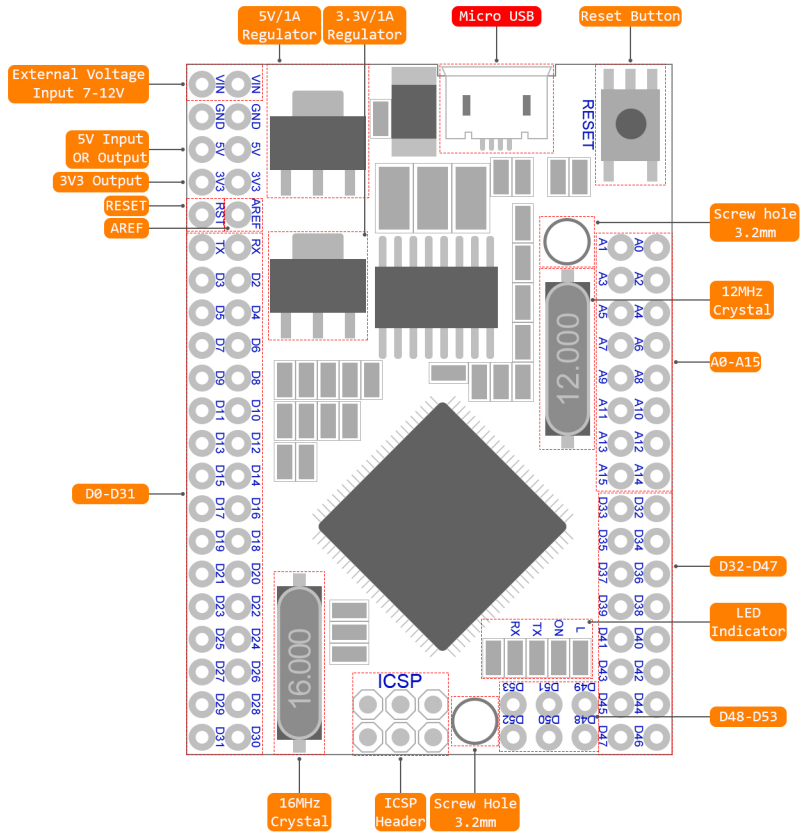
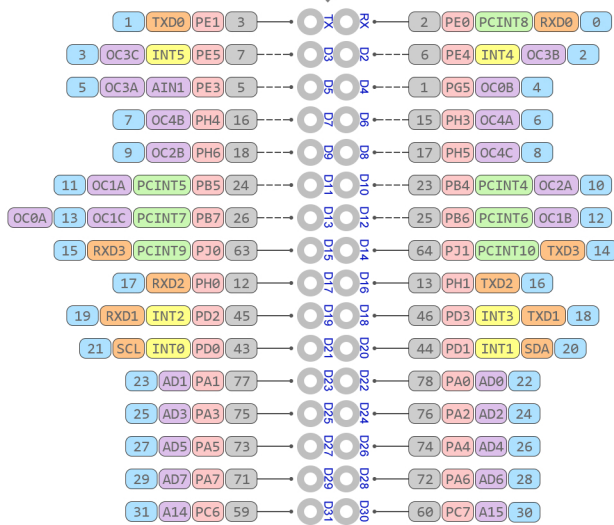


PINOUT DIAGRAM

MEGA PRO CH340G  
/ATmega2560



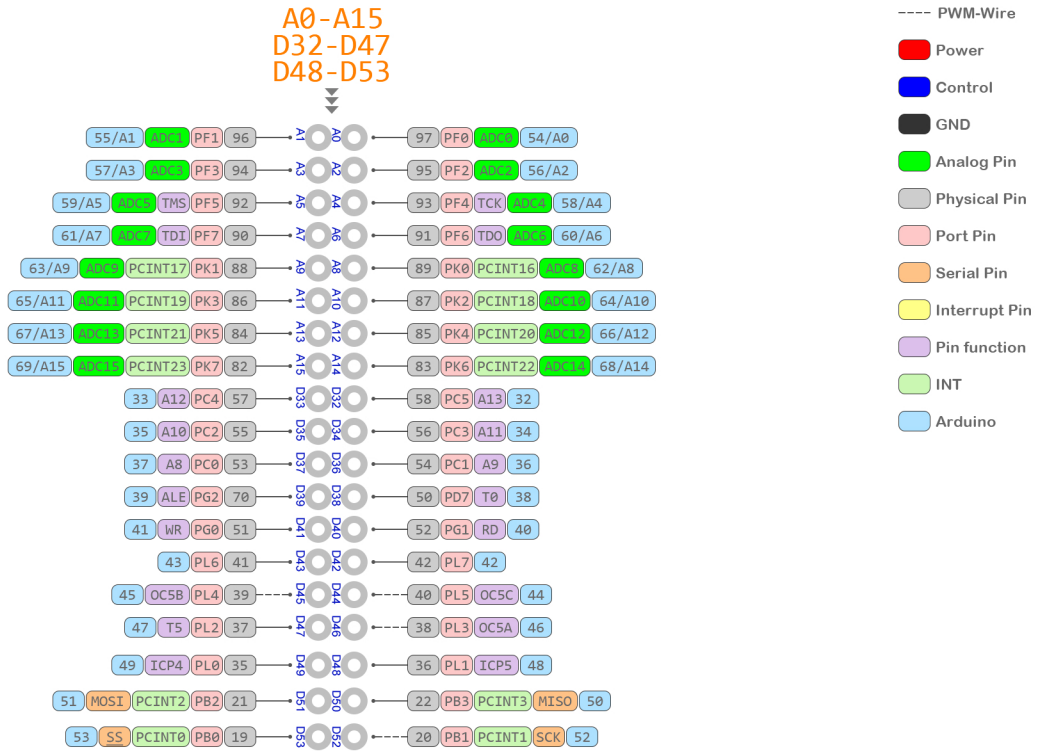
D0-D31



- PWM-Wire
- Power
- Control
- GND
- Analog Pin
- Physical Pin
- Port Pin
- Serial Pin
- Interrupt Pin
- Pin function
- INT
- Arduino

PINOUT DIAGRAM

MEGA PRO CH340G  
/ATmega2560



ICSP PINOUT

