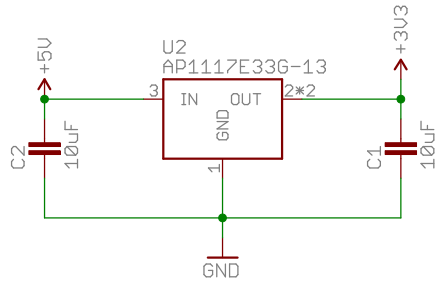
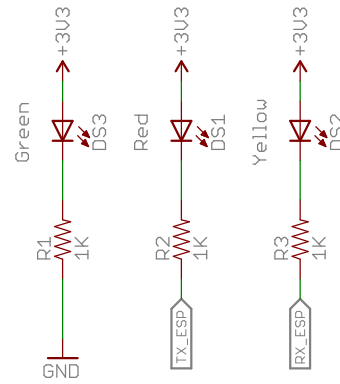


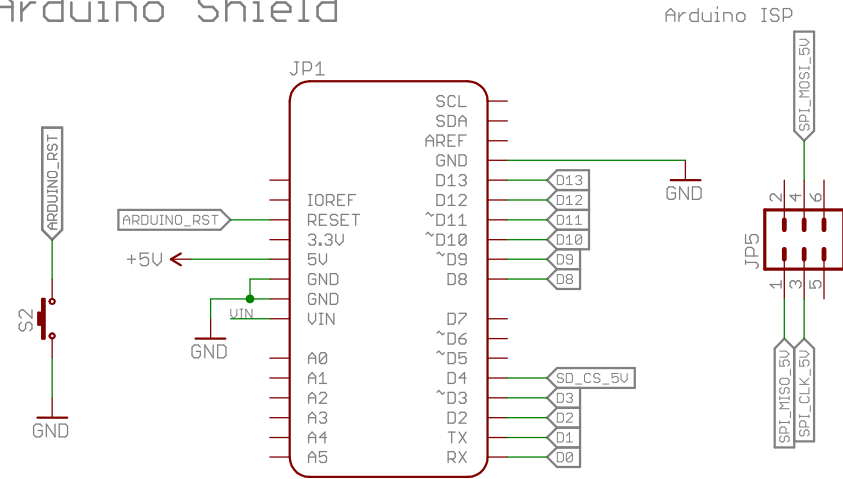
Power



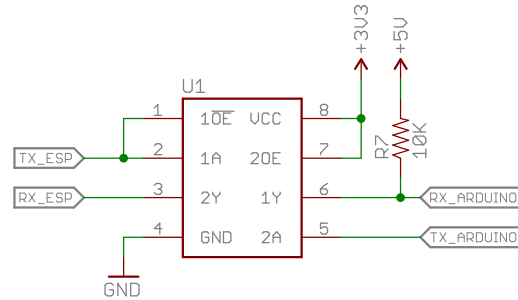
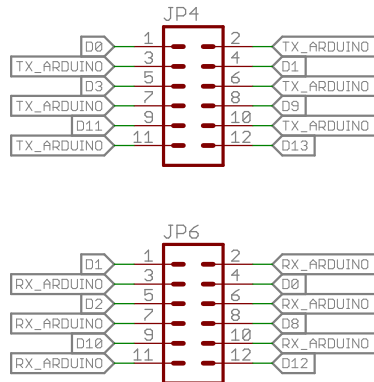
Indicator



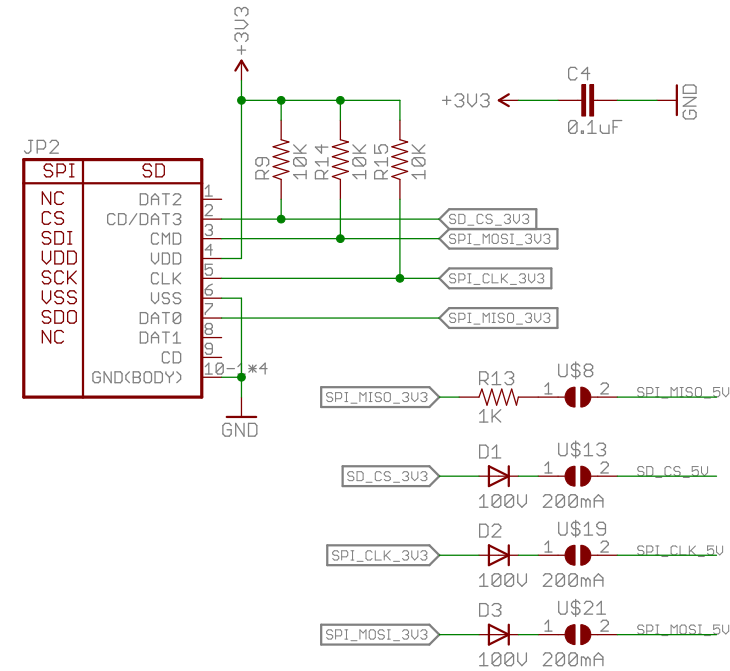
Arduino Shield



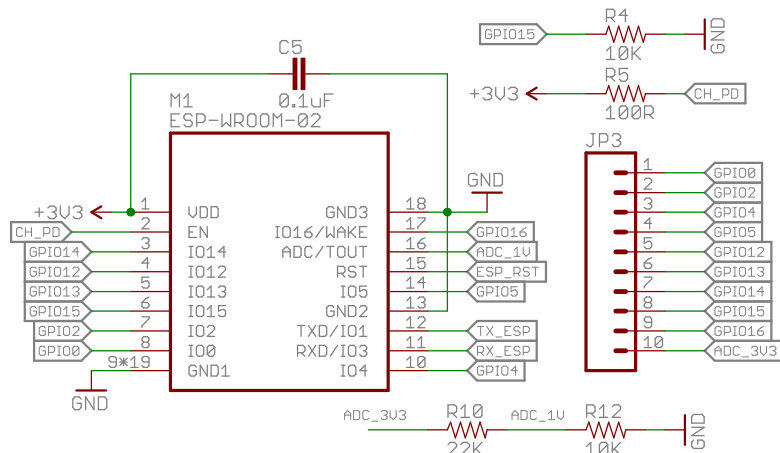
UART



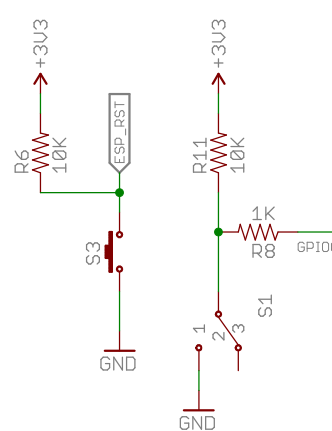
MicroSD



ESP8266 Module



ESP8266 Flash



Name:

Product Code: SHIELD-ESP-WIFI

REV:

Date: 14/4/2016 9:52 AM

Sheet: 1/1