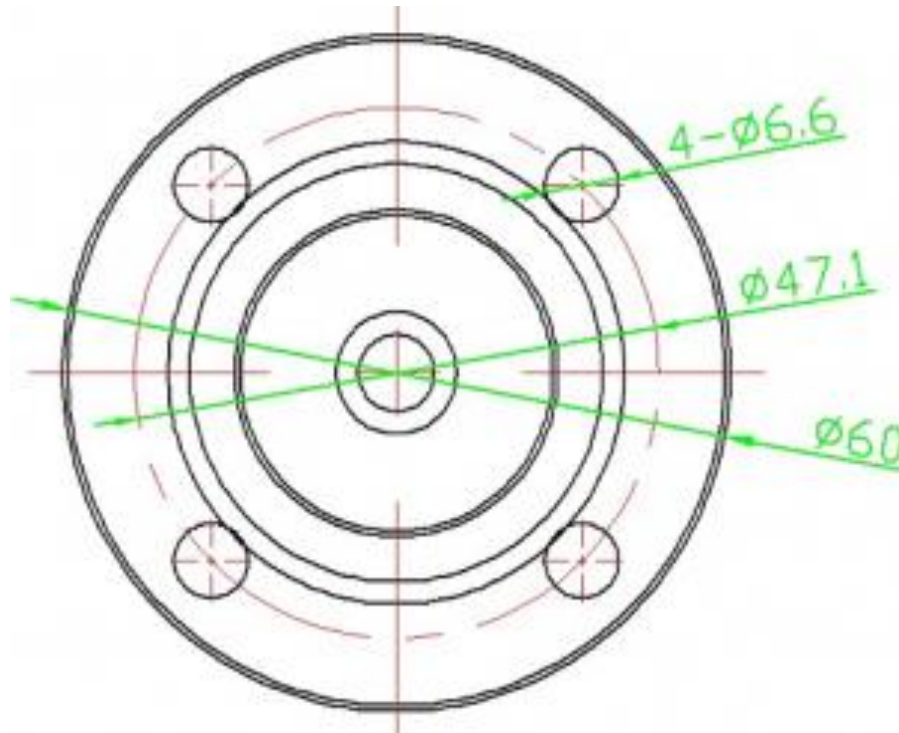
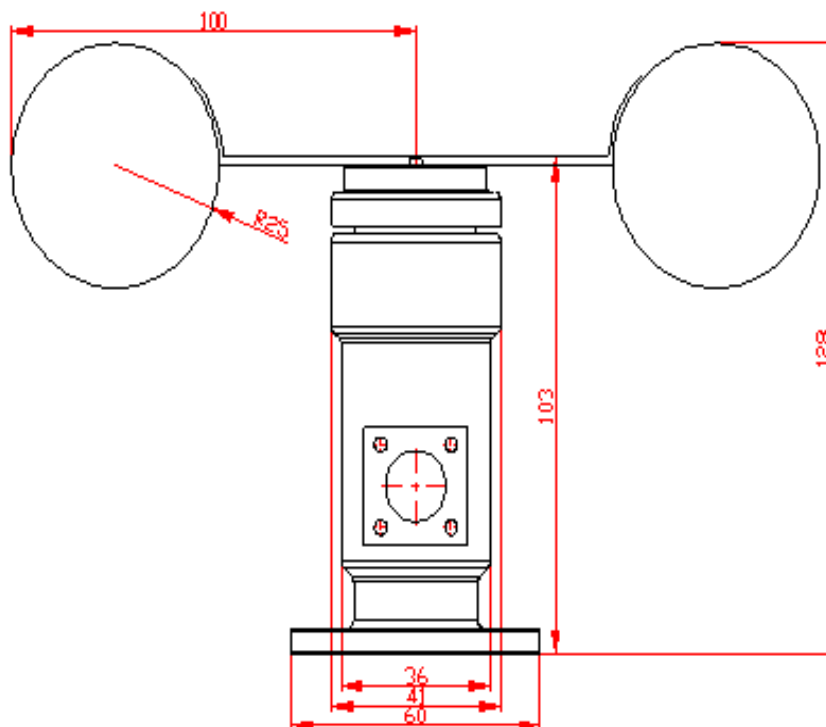


Schematic Diagrams:

Base:



Body:



Relation between Speed and output Values:

Wind Speed	Value	Wind Speed	Value	Wind Speed	Value
1	0.17	11	1.83	21	3.6
2	0.33	12	2.0	22	3.67
3	0.5	13	2.17	23	3.83
4	0.67	14	2.33	24	4.0
5	0.83	15	2.5	25	4.17
6	1.0	16	2.67	26	4.33
7	1.17	17	2.83	27	4.5
8	1.33	18	3.0	28	4.67
9	1.5	19	3.17	29	4.83
10	1.67	20	3.33	30	5.0

