

支持外挂SD卡存储语音
语音长度可达89个小时
更专业的语音处理技术
音质媲美MP3格式44KHz音频

Guangzhou CD-Year Technology Co., Ltd.



WTV020-SD Module promotion manual

1, Module Introduction

WTV020-SD module Guangzhou CD-Year Technology Co., Ltd. recently introduced a high-quality voice module, can be used in toys, intelligent home systems (bedside background light music), learning model (Pre-teaching, audio books) and other places, its long time to play, good sound quality, low power consumption advantages, let WTV-SD can be widely used in various places.

2, the module features

hexadecimal form data file name, in order to load a voice to the SD card root directory, will be able to make voice-on-demand, saving learning voice edit, load and other operational procedures of the time, effectively raising the manufacture, production effectiveness;

read within 64Mbit SPI-Flash memory or SD card up to 1GB memory, storage medium provides more selectivity; support 16bit DAC and an audio output of the PWM, so you can use an external amplifier or directly module driver 0.5W / 8 Ω Speaker; built powerful DSP high speed processor, faster operation speed of audio data; can play audio sample rate 6K ~ 32K WAV / AD4 format, MP3 format, the sound quality comparable to 44KHz; loaded up speech segment 512; can easily replace the simple repetition of speech;

stable wire serial interface, buttons, MP3 and other control mode, arbitrary application; parallel, key combination mode can be customized. Having serial control playback / pause, volume control, stop, etc.; the BUSY feedback function, an audio serial control more accurate; module without any action in a second reset automatically after dormancy; Operating voltage: DC2. 5 ~ 4.5V, quiescent current: 3uA.

2.3 Market Forecast

Chip or module program may be provided, the master chip priced at only a few dollars. Module is cheap, stable performance, easy to expand the applications requiring high voice quality place longer. Cost-effective to provide customers with greater profit margins.

5, WTV020-SD module application step

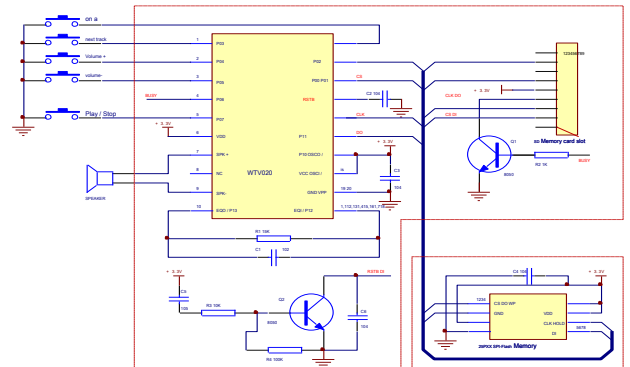
The WAV / AD4 format audio placement in accordance with the naming convention to SD card root directory, then the SD card inserted into the module, the application can be carried out.



4, the application circuit and Introduction

(1), MP3 Control mode

MP3 mode control application circuit below, K1, K2, K3, K4, K5 control respectively an upper, a lower, volume + volume -, play / stop. It is pulse trigger. The large box is WTV020-SD module internal circuit block lower right corner of the FLASH memory connecting portion, SD Flash memory card memory and only one of them is selected from the plug.



(2), two-wire serial control mode

Code for sending a command by the external microcontroller WTV020-SD Control

module can control play / pause, stop, volume control and random play voice any address.

In the upper block of FIG. WTV020-SD

An internal circuit module, the module WTV020 of I / O mouth P04 , P05 Respectively CLK , DI Input.

